



Catalog #: _____ Project: _____

Prepared By: _____ Date: _____ Type: _____

AHB

Advantage Series High Bay



OVERVIEW	
Lumen Range	18,000 - 60,000
CCT	4000K, 5000K
Wattage Range	130 - 440
Efficacy Range (LPW)	125 - 140
Weight lbs (kg)	7.2 - 9 (3.3 - 4.1)

QUICK LINKS

- [Ordering Guide](#)
- [Performance](#)
- [Photometrics](#)
- [Dimensions](#)

FEATURES & SPECIFICATIONS

Construction

- High quality steel construction with paint-after-fabrication finish
- Acrylic resin lens

Optical System

- Minimum CRI of 80
- Available in 4000K and 5000K
- 90 degree beam angle wide distribution
- Frosted lens design for maximum light output

Electrical

- 0-10V dimming (10%-100%) standard
- Standard Universal Voltage (120-277 VAC) only
- L70 Calculated Life: >60K hours

- Operating Temperature -40 to +50C (-40F to +122F)

Installation

- Standard 3' chain mount and V hooks included
- Optional single or double pendant mount box (3/4" stem not included)
- 2 Wireguard accessories available
 - 18L/24L - 2 pack each 4" wide
 - 30L - 2 pack each 5 1/4" wide
- Shipping Quantity:
 - 18L - 30L is 2 per carton
 - 48L - 60L is 1 per carton

Warranty

- Complete warranty terms located at: <https://www.lsicorp.com/resources/terms-conditions-warranty/>

Listings

- Listed to UL 1598 and UL 8750
- Damp location
- DLC standard qualified product. Not all versions of this product may be DLC qualified. Please check the DLC Qualified Products List at www.designlights.org/QPL to confirm which versions are qualified.



Advantage Series High Bay

ORDERING GUIDE

[Back to Quick Links](#)TYPICAL ORDER EXAMPLE: **AHB 18L 840 EM15 OMS1**

Family	Lumen Package	Color Temperature	EM Options	Options
AHB ¹	18L - 18,000 Lumens ⁴ 24L - 24,000 Lumens ⁴ 30L - 30,000 Lumens ⁴ 48L - 48,000 Lumens ⁵ 60L - 60,000 Lumens ⁵	840 - 4000K 80CRI 850 - 5000K 80CRI	EM15 - 15W Emergency Battery ² EM20 - 20W Emergency Battery ⁶	C6CD - 6' black cord 16/5 dimming (no plug) installed on TOP CENTER C10CD - 10' black cord 16/5 dimming (no plug) installed on TOP CENTER OMS1 - External PIR motion sensor up to 20ft mounting height OMS2 - External PIR motion sensor up to 40ft mounting height OMSBT1W - External Bluetooth PIR motion and photo sensor up to 8ft mounting height OMSBT2W - External Bluetooth PIR motion and photo sensor up to 20ft mounting height OMSBT3W - External Bluetooth PIR motion and photo sensor up to 40ft mounting height IMSBT1W - Integral Bluetooth™ PIR motion and photo sensor up to 8ft mounting height IMSBT2W - Integral Bluetooth™ PIR motion and photo sensor up to 20ft mounting height IMSBT3W - Integral Bluetooth™ PIR motion and photo sensor up to 40ft mounting height

FOOTNOTES:

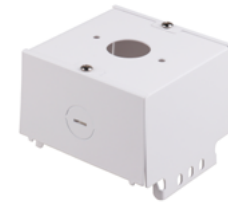
- 1 - Standard chain mount included
- 2 - EM Operating temperature - 0 to +50C (+32F to +122F)
- 3 - Not available with EM15 option
- 4 - Only available as a 2ft unit
- 5 - Only available as a 4ft unit
- 6 - Only available with 4ft units (48L-60L)

Mounting Accessories

Catalog Number	Description	Order Number
MCH10	Mini-hook 10ft Cable Kit (2 pk)	783379
AHB PMK1	AHB Single Pendant Mount Kit	757494
AHB PMK2	AHB Double Pendant Mount Kit	757496
AHB WG-18-24	AHB Wireguard (2pk) 18L/24L	757498
AHB WG-30	AHB Wireguard (2pk) 30L	757921



Standard Chain Mount



Pendant Mount Kit

PERFORMANCE

[Back to Quick Links](#)

DELIVERED LUMENS		840 (80CRI, 4000K)			850 (80CRI, 5000K)		
Lumen Package	Length	Delivered Lumens	Efficacy	Wattage	Delivered Lumens	Efficacy	Wattage
18L	2ft	17,170	133	129	17,049	133	128
24L	2ft	21,171	129	165	23,111	138	168
30L	2ft	28,390	132	215	27,364	127	215
48L	4ft	45,289	128	353	46,285	128	353
60L	4ft	56,513	128	441	57,756	128	441

Electrical Data (Amps)*

Lumen Package	Wattage	120V	204V	240V	277V
18L	128	1.07	0.627	0.533	0.462
24L	165	1.38	0.809	0.688	0.596
30L	215	1.79	1.05	0.896	0.776
48L	353	2.94	1.70	1.47	1.28
60L	441	3.67	2.12	1.84	1.59

AHB 18L						
Recommended Lumen Maintenance ¹						
Ambient Temp C	Initial ²	25k hr ²	50k hr ²	75k hr ³	100k hr ³	
25	100%	95%	90%	86%	81%	
30	100%	95%	90%	86%	81%	
35	100%	95%	90%	86%	81%	
40	100%	95%	90%	86%	81%	
45	100%	95%	90%	85%	80%	
50	100%	94%	89%	84%	79%	

AHB 24L						
Recommended Lumen Maintenance ¹						
Ambient Temp C	Initial ²	25k hr ²	50k hr ²	75k hr ³	100k hr ³	
25	100%	95%	90%	86%	81%	
30	100%	95%	90%	86%	81%	
35	100%	95%	90%	86%	81%	
40	100%	95%	90%	85%	81%	
45	100%	95%	89%	84%	80%	
50	100%	94%	89%	84%	79%	

AHB 30L						
Recommended Lumen Maintenance ¹						
Ambient Temp C	Initial ²	25k hr ²	50k hr ²	75k hr ³	100k hr ³	
25	100%	95%	90%	86%	81%	
30	100%	95%	90%	86%	81%	
35	100%	95%	90%	85%	80%	
40	100%	94%	89%	84%	79%	
45	100%	94%	88%	83%	78%	
50	100%	94%	88%	82%	77%	



Advantage Series High Bay

PHOTOMETRICS

[Back to Quick Links](#)

Luminaire photometry has been conducted by a NVLAP accredited testing laboratory in accordance with IESNA LM-79-08. As specified by IESNA LM-79-08 the entire luminaire is tested as the source resulting in a luminaire efficiency of 100%.

See <https://www.lsicorp.com/product/advantage-high-bay/> for detailed photometric data.

AHB-18L-850

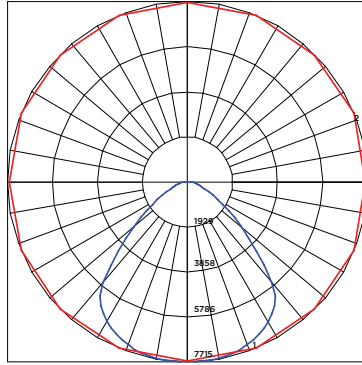
LUMINAIRE DATA

Wide Distribution	
Description	5000 Kelvin, 80 CRI
Delivered Lumens	17,049
Watts	128
Efficacy	133

Zonal Lumen Summary

Zone	Lumens	%Luminaire
Low (0-30)°	6203.0	36.4%
Medium (30-60)°	8949.0	52.5%
High (60-80)°	1657.0	9.7%
Very High (80-90)°	239.0	1.4%
Uplight (90-180)°	0.0	0.0%
Total Flux	17049.0	100%

POLAR CURVE



AHB-24L-850

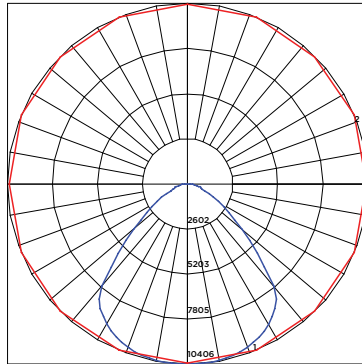
LUMINAIRE DATA

Wide Distribution	
Description	5000 Kelvin, 80 CRI
Delivered Lumens	23,111
Watts	168
Efficacy	138

Zonal Lumen Summary

Zone	Lumens	%Luminaire
Low (0-30)°	8378.0	36.3%
Medium (30-60)°	12769.0	52.7%
High (60-80)°	2245.0	9.7%
Very High (80-90)°	318.0	1.4%
Uplight (90-180)°	0.0	0.0%
Total Flux	23111.0	100%

POLAR CURVE



AHB-30L-850

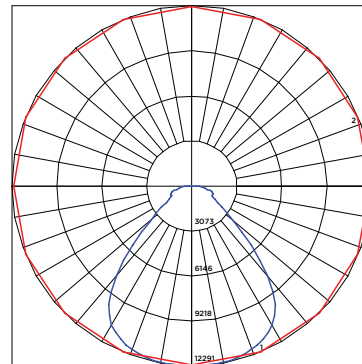
LUMINAIRE DATA

Wide Distribution	
Description	5000 Kelvin, 80 CRI
Delivered Lumens	27,364
Watts	215
Efficacy	127

Zonal Lumen Summary

Zone	Lumens	%Luminaire
Low (0-30)°	9914.0	36.2%
Medium (30-60)°	13717.0	50.1%
High (60-80)°	3181.0	11.6%
Very High (80-90)°	550.0	2.0%
Uplight (90-180)°	0.0	0.0%
Total Flux	27364.0	100.0%

POLAR CURVE





Advantage Series High Bay

PHOTOMETRICS CONTINUED

AHB-48L-850

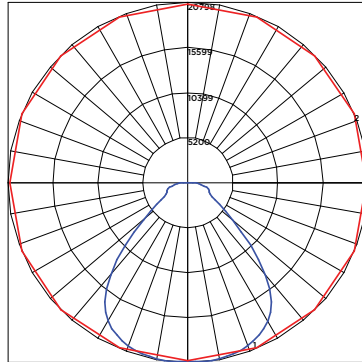
LUMINAIRE DATA

Wide Distribution	
Description	5000 Kelvin, 80 CRI
Delivered Lumens	46,285
Watts	353
Efficacy	131

Zonal Lumen Summary

Zone	Lumens	%Luminaire
Low (0-30)°	16624	36%
Medium (30-60)°	23212	50%
High (60-80)°	5488	12%
Very High (80-90)°	959	2%
Uplight (90-180)°	0	0%
Total Flux	46285	100%

POLAR CURVE



AHB-60L-850

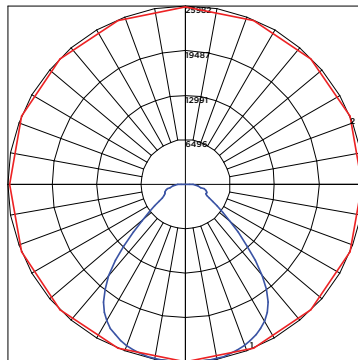
LUMINAIRE DATA

Wide Distribution	
Description	5000 Kelvin, 80 CRI
Delivered Lumens	57,756
Watts	441
Efficacy	131

Zonal Lumen Summary

Zone	Lumens	%Luminaire
Low (0-30)°	20807	36%
Medium (30-60)°	28996	50%
High (60-80)°	6785	12%
Very High (80-90)°	1166	2%
Uplight (90-180)°	0	0%
Total Flux	57756	100%

POLAR CURVE



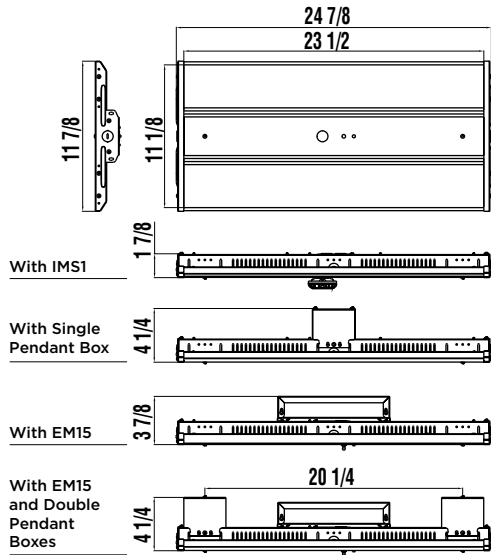


Advantage Series High Bay

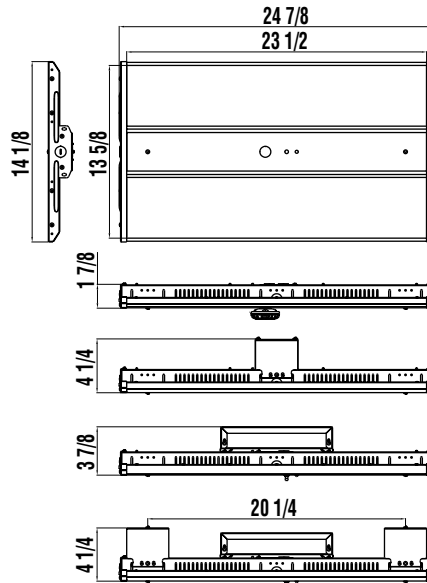
PRODUCT DIMENSIONS

[Back to Quick Links](#)

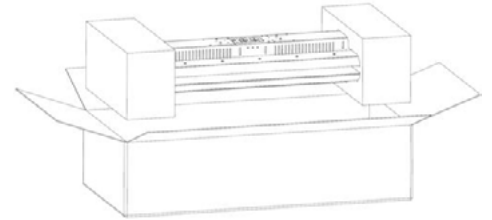
18L - 24L



30L



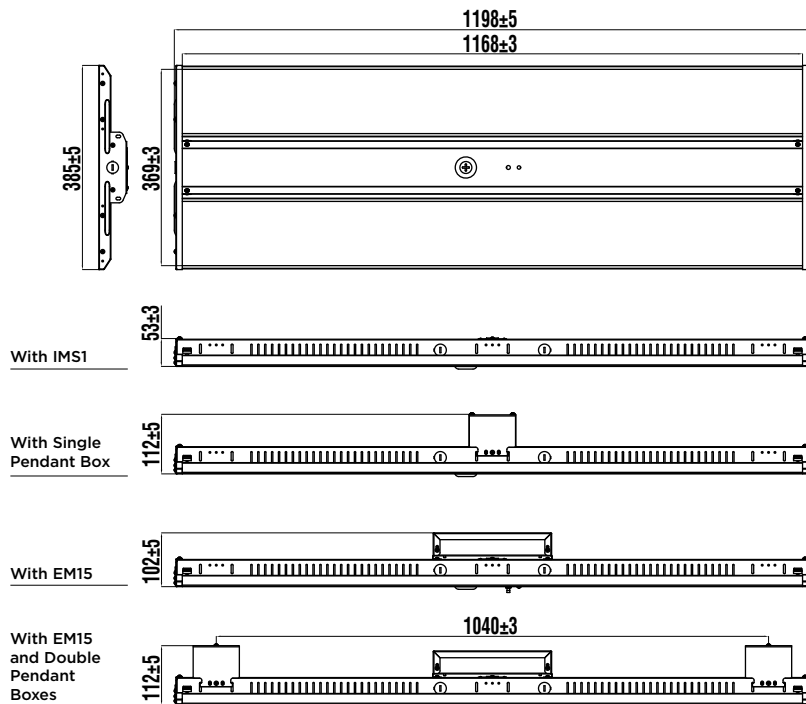
Shipping Configuration (18L-30L) (2 units/box)



Shipping Configuration (48L-60L) (1 unit/box)



48L - 60L



SHIPPING WEIGHTS

Unit	Qty per Box	LBS per unit	LBS per Box
18L	2	7.3	18.6
24L	2	8.2	20.1
30L	2	9.1	22.1
48L	1	14.8	14.8
60L	1	15.5	15.5

