



Job: \_\_\_\_\_  
 Job Site: \_\_\_\_\_ State: \_\_\_\_\_ Client Name: \_\_\_\_\_  
 Notes: \_\_\_\_\_ Approvals: \_\_\_\_\_ Date: \_\_\_\_\_

**LED Light Pole Kit Includes:**

4" Round Straight Aluminum Light Pole, Architectural Post-Top LED Area Light, Tenon, Hardware, Set of Anchor Bolts and a Base Cover.

**Light Pole:**

**Pole Shaft:** 4 inch round straight aluminum with 0.125" wall thickness. Seamlessly extruded from 6063-T6 alloy.

**Pole Height:** Standard pole height is 16 ft. Optional heights are 14, 12, 10. Custom heights are also available.

**Handhole:** 2-1/2" X 4" size handhole is located at 18 inches from the base. An aluminum handhole cover with 2 screws is provided.

A ground lug with set screw is located near the handhole opening for proper grounding of the pole.

**Color:** Black, Bronze, White, Gray.

**Anchor Bolts:** A set of 4 galvanized steel anchor bolts is provided with each pole assembly. Each anchor bolt includes 2 nuts and 2 washers. Top portion of the anchor bolt is threaded for securing and leveling the pole with the provided nuts and washers. An actual size paper anchor bolt template is provided.

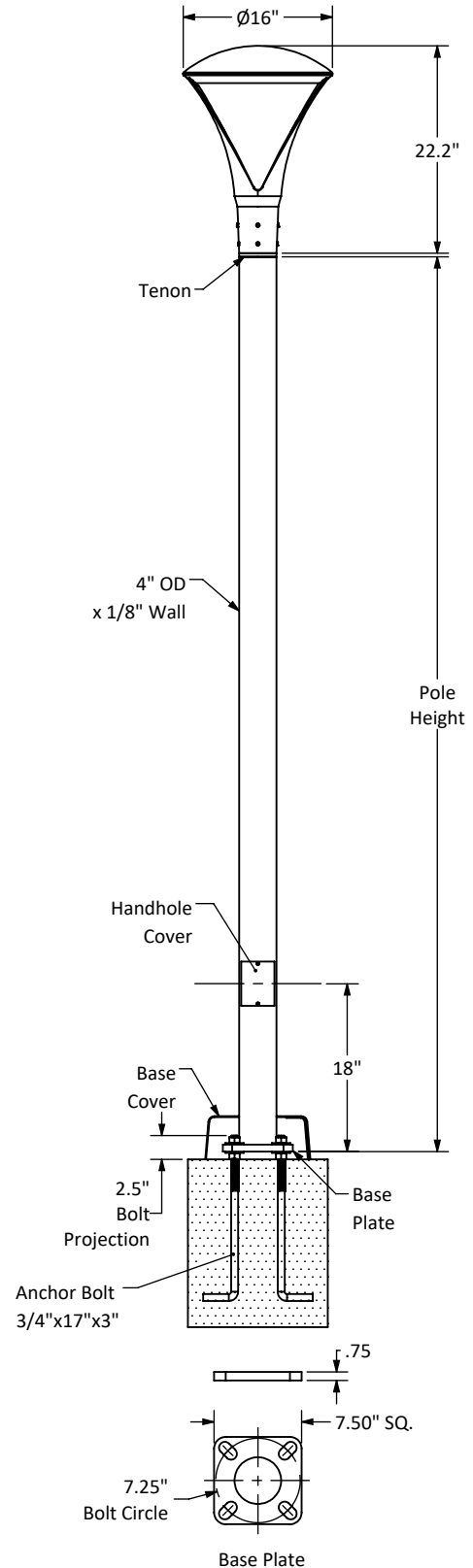
**Base Cover:** ABS Plastic base cover with rivets.

**Maximum Wind Rating:** 100 mph wind zone with 1.3 gust factor.

**Foundation design:** Foundation should be designed by an engineer familiar with local soil and wind conditions as well as local code where the pole(s) will be installed.

**LED Fixture:**

Specifications on page 2



**Disclaimer:** All dimensions and specifications are subject to change without any notice. Energy Light, Inc. is not responsible for any claims arising from improper loading (what is attached to the light pole), improper use, incorrect foundation design and/or installation.



# Opulence Small Post Top (OPS)

## Outdoor Decorative Post Top

**IP66**

### OVERVIEW

Lumen Output Range	3,000 - 14,000
Wattage	20 - 100
Efficacy Range (LPW)	114 - 148
Fixture Weight lbs (kg)	25.0 (11.3)

### QUICK LINKS

[Ordering Guide](#)[Performance](#)[Photometrics](#)[Dimensions](#)

## FEATURES & SPECIFICATIONS

### Construction

- Rugged die-cast aluminum housing.
- Fixtures are finished with LSI's DuraGrip® polyester powder coat finishing process. The DuraGrip finish withstands extreme weather changes without cracking or peeling. Other standard LSI finishes available. Consult factory.

### Optical System

- High density LED optical system delivers industry leading optical performance and visual comfort.
- 7 distribution types 3W, 4F, 5Q, 5C, 5R, 5D & AD
- Diffused lens version provides maximum visual comfort with reduced brightness and LED pixelization
- Available in 5000K, 4000K, 3500K, 3000K and 2700K color temperatures per ANSI C78.377.
- Minimum CRI of 80

### Electrical

- High-performance driver features overvoltage, under-voltage, short-circuit and over temperature protection (6kV surge standard).
- 0-10V dimming driver (optional extended leads).
- Standard Universal Voltage (120-277 VAC) Input 50/60 Hz or optional High Voltage (347-480 VAC).

- Total harmonic distortion: <20%
- Operating temperature: -40°C to +40°C (-40°F to +104°F).
- Power factor: >.90
- Input power stays constant over life.
- Field replaceable 10kV surge protection device meets a minimum Category C Low operation (per ANSI/IEEE C62.41.2).
- Driver is fully encased in potting material for moisture resistance and complies with FCC standards. Driver and key electronic components can easily be accessed.

### Controls

- Integral passive infrared Bluetooth™ motion and photocell sensor options. Fixtures operate independently and can be commissioned via an iOS or Android configuration app.
- LSI's AirLink™ Blue lighting control system is a simple feature rich wireless Bluetooth mesh network. The integrated fixture sensor module provides wireless control of grouped fixtures based on motion sensors, daylight or a fully customizable schedule. Updates and modifications to the control strategy are easily implemented via an intuitive iOS app.

### Installation

- Designed to mount directly to a 2 3/8" - 3" outer diameter tenon (4" tall).
- Optional flush mount accessory slips inside the top of a 4" round pole for a virtually seamless transition from pole to luminaire.

### Warranty

- LSI luminaires carry a 5-year limited warranty. Refer to <https://www.lsicorp.com/resources/terms-conditions-warranty/> for more information.

### Listings

- Listed to UL 1598 and UL 8750.
- Meets Buy American Act requirements.
- IDA compliant; with 3000K and warmer color temperature selection.
- Title 24 Compliant; see local ordinance for qualification information.
- Suitable for wet locations.
- IP66 rated Luminaire per IEC 60598-1.
- 3G rated for ANSI C136.31 high vibration applications.
- DesignLights Consortium® (DLC) qualified product. Not all versions of this product may be DLC qualified. Please check the DLC Qualified Products List at [www.designlights.org/QPL](http://www.designlights.org/QPL) to confirm which versions are qualified.

*Specifications and dimensions subject to change without notice.*





# Opulence Small Post Top

## ORDERING GUIDE

[Back to Quick Links](#)

TYPICAL ORDER EXAMPLE: <b>OPS PT 8L 5Q UNV 40K8 BLK ALBCS1</b>			
Prefix	Mounting	Lumen Package*	Distribution
OPS - Opulence Small	PT - Post Top (2 3/8" 3" Tennon)	3L - 3,000 Lumens 5L - 5,000 Lumens 6L - 6,000 Lumens 8L - 8,000 Lumens 10L - 10,000 Lumens 12L - 12,000 Lumens 14L - 14,000 Lumens	5Q - Type 5 Square 5C - Type 5 Concentrated 5R - Type 5 Rectangular 3W - Type 3 (Wide Throw) 4F - Type 4 (Forward Throw) 5D - Type 5 Diffused AD - Asymmetric Diffused
Voltage	Color Temp	Finish	Controls
UNV - Universal Voltage (120-277V) HV - High Voltage (347-480V)	50K8 - 5,000K CCT - 80 CRI 40K8 - 4,000K CCT - 80 CRI 35K8 - 3,500K CCT - 80 CRI 30K8 - 3,000K CCT - 80 CRI 27K8 - 2,700K CCT - 80 CRI	BRZ - Dark Bronze BLK - Black GMG - Gun Metal Gray GPT - Graphite MSV - Metallic Silver PLP - Platinum Plus WHT - White	(Blank) - None <b>Wireless Controls System</b> ALBCS1 - AirLink Blue Wireless Motion & Photo Sensor Controller (8-24' MH) <sup>1</sup> ALBCS2 - AirLink Blue Wireless Motion & Photo Sensor Controller (25-40' MH) <sup>1</sup> <b>Stand-Alone Controls</b> CR7P - 7 Pin Control Receptacle ANSI C136.41 <sup>2</sup> IMSBT1 - Integral Bluetooth™ Motion and Photocell Sensor (8-24' MH) <sup>1,3</sup> IMSBT2 - Integral Bluetooth™ Motion and Photocell Sensor (25-40' MH) <sup>1,3</sup> EXT - 0-10v Dimming leads extended to housing exterior

## Accessory Ordering Information

CONTROLS ACCESSORIES	
Description	Order Number
Twist Lock Photocell (120V) for use with CR7P	122514
Twist Lock Photocell (208-277) for use with CR7P	122515
Twist Lock Photocell (347V) for use with CR7P	122516
Twist Lock Photocell (480V) for use with CR7P	1225180
AirLink 5 Pin Twist Lock Controller	661409
AirLink 7 Pin Twist Lock Controller	661410
Shorting Cap for use with CR7P	149328

FUSING ACCESSORIES <sup>5</sup>	
Description	Order Number
Single Fusing (120V)	FK120
Single Fusing (277V)	FK277
Double Fusing (480V)	DFK480
Double Fusing (347V)	DFK347

MOUNTING ACCESSORIES <sup>6</sup>	
Description	Order Number
Internal Flush Mount Adapter for 4" OD Round Pole	764420CLR
Post Top Wall Mount Bracket	761587CLR
D180 Post Top Arm Bracket	761588CLR
Internal Tenon Adapter for 4" Square Pole	694638CLR
Internal Tenon Adapter for 5" Square Pole	694641CLR
Internal Tenon Adapter for 6" Square Pole	694642CLR
Decorative Base Cover (4 / 5" Round Poles)	483859CLR
10' Linear Bird Spike Kit (4' Recommended per Luminaire)	751632

### FOOTNOTES:

- 1 - Consult Factory for 347-480V.
- 2 - Control device or shorting cap must be ordered separately. See Accessory Ordering Information.
- 3 - IMSBT is field configurable via the LSI app that can be downloaded from your smartphone's native app store.
- 4 - Accessories are shipped separately and field installed.
- 5 - Fusing must be located in hand hole of pole.
- 6 - "CLR" denotes finish. See Finish options.





# Opulence Small Post Top

## PERFORMANCE

[Back to Quick Links](#)

DELIVERED LUMENS (OPS)*																		
Lumen Package	Distribution	CRI	2700K CCT			3000K CCT			3500K CCT			4000K CCT			5000K CCT			Wattage
			Delivered Lumens	Efficacy	BUG Rating	Delivered Lumens	Efficacy	BUG Rating	Delivered Lumens	Efficacy	BUG Rating	Delivered Lumens	Efficacy	BUG Rating	Delivered Lumens	Efficacy	BUG Rating	
3L	5Q	80	2739	135	B1-U2-G1	2828	139	B1-U2-G1	2781	137	B1-U2-G1	2895	143	B1-U2-G1	2933	145	B1-U2-G1	20
	5C		2812	139	B1-U3-G1	2903	143	B1-U3-G1	2855	141	B1-U3-G1	2972	146	B1-U3-G1	3011	148	B1-U3-G1	
	5R		2708	132	B1-U2-G1	2796	138	B1-U2-G1	2750	134	B1-U2-G1	2862	141	B2-U2-G2	2900	143	B2-U2-G2	
	4F		2714	134	B1-U2-G1	2802	138	B1-U2-G1	2756	136	B1-U2-G1	2869	141	B1-U2-G1	2907	143	B1-U2-G1	
	3W		2705	133	B1-U2-G1	2793	138	B1-U2-G1	2747	135	B1-U2-G1	2859	141	B1-U2-G1	2897	143	B1-U2-G1	
	5D		2522	124	B1-U2-G1	2604	128	B1-U2-G1	2561	126	B1-U2-G1	2665	131	B1-U2-G1	2701	133	B1-U2-G1	
	AD		2529	125	B1-U2-G1	2611	129	B1-U2-G1	2568	127	B1-U2-G1	2672	132	B1-U2-G1	2708	133	B1-U2-G1	
5L	5Q	80	4525	131	B2-U3-G1	4672	135	B2-U3-G1	4595	133	B2-U3-G1	4782	139	B2-U3-G1	4845	140	B2-U3-G1	34
	5C		4645	135	B2-U3-G1	4796	139	B2-U3-G1	4717	137	B2-U3-G1	4909	142	B2-U3-G1	4974	144	B2-U3-G1	
	5R		4474	130	B2-U3-G2	4619	134	B2-U3-G2	4543	132	B2-U3-G2	4728	137	B2-U3-G2	4791	139	B2-U3-G2	
	4F		4484	130	B1-U3-G1	4630	134	B1-U3-G1	4553	132	B1-U3-G1	4739	137	B1-U3-G1	4802	139	B1-U3-G1	
	3W		4468	129	B1-U3-G1	4614	134	B1-U3-G1	4538	131	B1-U3-G1	4723	137	B1-U3-G1	4785	139	B1-U3-G1	
	5D		4166	121	B2-U3-G1	4301	125	B2-U3-G1	4231	123	B2-U3-G1	4403	128	B2-U3-G1	4461	129	B2-U3-G1	
	AD		4177	121	B1-U3-G1	4313	125	B1-U3-G1	4242	123	B1-U3-G1	4415	128	B1-U3-G1	4474	130	B1-U3-G1	
6L	5Q	80	5362	132	B2-U3-G1	5536	136	B2-U3-G1	5445	134	B2-U3-G1	5667	140	B2-U3-G1	5742	141	B2-U3-G1	41
	5C		5505	136	B2-U3-G1	5684	140	B2-U3-G1	5590	138	B2-U3-G1	5818	143	B2-U3-G1	5895	145	B2-U3-G1	
	5R		5302	131	B2-U3-G2	5474	135	B2-U3-G2	5384	133	B2-U3-G2	5603	138	B2-U3-G2	5677	140	B2-U3-G2	
	4F		5314	131	B1-U3-G1	5486	135	B1-U3-G1	5396	133	B1-U3-G1	5616	138	B1-U3-G1	5690	140	B1-U3-G1	
	3W		5295	130	B2-U3-G1	5467	135	B2-U3-G1	5378	132	B2-U3-G1	5597	138	B2-U3-G1	5671	140	B2-U3-G1	
	5D		4937	122	B2-U3-G1	5097	126	B2-U3-G1	5014	123	B2-U3-G1	5218	129	B2-U3-G1	5287	130	B2-U3-G1	
	AD		4950	122	B2-U3-G1	5111	126	B2-U3-G1	5027	124	B2-U3-G1	5232	129	B2-U3-G1	5301	131	B2-U3-G1	
8L	5Q	80	7185	130	B3-U3-G1	7419	134	B3-U3-G1	7297	132	B3-U3-G1	7594	138	B3-U3-G1	7695	139	B3-U3-G1	55
	5C		7376	134	B2-U3-G1	7616	138	B2-U3-G1	7491	136	B2-U3-G1	7796	141	B2-U3-G1	7899	143	B2-U3-G1	
	5R		7104	129	B3-U3-G3	7335	133	B3-U3-G3	7214	131	B3-U3-G3	7508	136	B3-U3-G3	7608	138	B3-U3-G3	
	4F		7120	129	B2-U3-G1	7352	133	B2-U3-G1	7231	131	B2-U3-G1	7525	136	B2-U3-G1	7625	138	B2-U3-G1	
	3W		7096	129	B2-U3-G2	7326	133	B2-U3-G2	7206	131	B2-U3-G2	7499	136	B2-U3-G2	7599	138	B2-U3-G2	
	5D		6616	120	B2-U3-G1	6831	124	B2-U3-G1	6718	122	B2-U3-G1	6992	127	B2-U3-G1	7085	128	B2-U3-G1	
	AD		6634	120	B2-U3-G2	6849	124	B2-U3-G2	6736	122	B2-U3-G2	7011	127	B2-U3-G2	7104	129	B2-U3-G2	
10L	5Q	80	9061	128	B3-U3-G1	9355	132	B3-U3-G1	9201	130	B3-U3-G1	9576	136	B3-U3-G1	9703	137	B3-U3-G1	70
	5C		9302	132	B3-U3-G1	9604	136	B3-U3-G1	9446	134	B3-U3-G1	9831	139	B3-U3-G1	9961	141	B3-U3-G1	
	5R		8959	127	B3-U3-G3	9250	131	B3-U3-G3	9097	129	B3-U3-G3	9468	134	B3-U3-G3	9594	136	B3-U3-G3	
	4F		8979	127	B2-U3-G2	9271	131	B2-U3-G2	9118	129	B2-U3-G2	9490	134	B2-U3-G2	9616	136	B2-U3-G2	
	3W		8948	127	B2-U3-G2	9239	131	B2-U3-G2	9087	129	B2-U3-G2	9457	134	B2-U3-G2	9583	136	B2-U3-G2	
	5D		8343	118	B3-U3-G1	8614	122	B3-U3-G1	8472	120	B3-U3-G1	8817	125	B3-U3-G1	8934	126	B3-U3-G1	
	AD		8365	118	B2-U3-G2	8637	122	B2-U3-G2	8495	120	B2-U3-G2	8841	125	B2-U3-G2	8958	127	B2-U3-G2	
12L	5Q	80	10801	126	B3-U3-G1	11152	130	B3-U3-G1	10968	128	B3-U3-G1	11415	134	B3-U3-G1	11566	135	B3-U3-G1	85
	5C		11088	130	B3-U3-G1	11448	134	B3-U3-G1	11260	132	B3-U3-G1	11718	137	B3-U3-G1	11874	139	B3-U3-G1	
	5R		10679	125	B3-U3-G3	11026	129	B3-U3-G3	10844	127	B3-U3-G3	11286	132	B3-U3-G3	11436	134	B3-U3-G3	
	4F		10703	125	B2-U3-G2	11051	129	B2-U3-G2	10869	127	B2-U3-G2	11312	132	B2-U3-G2	11462	134	B2-U3-G2	
	3W		10666	125	B2-U3-G2	11013	129	B2-U3-G2	10832	127	B2-U3-G2	11273	132	B2-U3-G2	11423	134	B2-U3-G2	
	5D		9945	116	B3-U3-G2	10268	120	B3-U3-G2	10099	118	B3-U3-G2	10510	123	B3-U3-G2	10650	125	B3-U3-G2	
	AD		9972	117	B2-U3-G2	10296	120	B2-U3-G2	10126	118	B2-U3-G2	10539	123	B2-U3-G2	10679	125	B2-U3-G2	
14L	5Q	80	12487	124	B3-U3-G2	12893	128	B3-U3-G2	12681	126	B3-U3-G2	13197	131	B3-U3-G2	13372	133	B3-U3-G2	100
	5C		12819	128	B3-U3-G1	13236	132	B3-U3-G1	13018	130	B3-U3-G1	13548	135	B3-U3-G1	13728	137	B3-U3-G1	
	5R		12346	123	B3-U3-G3	12747	127	B3-U3-G3	12537	125	B3-U3-G3	13048	130	B3-U3-G3	13221	132	B3-U3-G3	
	4F		12374	123	B2-U3-G2	12776	127	B2-U3-G2	12566	125	B2-U3-G2	13078	130	B2-U3-G2	13252	132	B2-U3-G2	
	3W		12332	123	B2-U3-G2	12732	127	B2-U3-G3	12523	125	B2-U3-G3	13033	130	B2-U3-G3	13206	132	B2-U3-G3	
	5D		11497	114	B3-U3-G2	11871	118	B3-U3-G2	11675	116	B3-U3-G2	12151	121	B3-U3-G2	12312	123	B3-U3-G2	
	AD		11528	114	B2-U3-G2	11903	118	B2-U3-G2	11707	116	B2-U3-G2	12184	121	B2-U3-G2	12346	123	B2-U3-G2	



# Opulence Small Post Top

## PERFORMANCE

[Back to Quick Links](#)

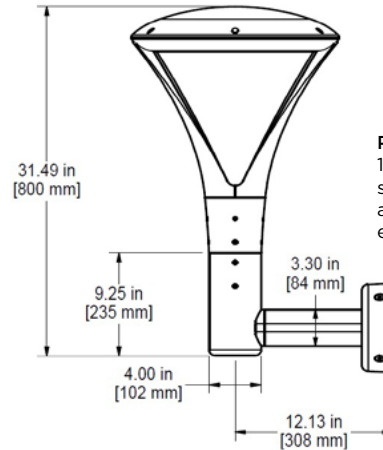
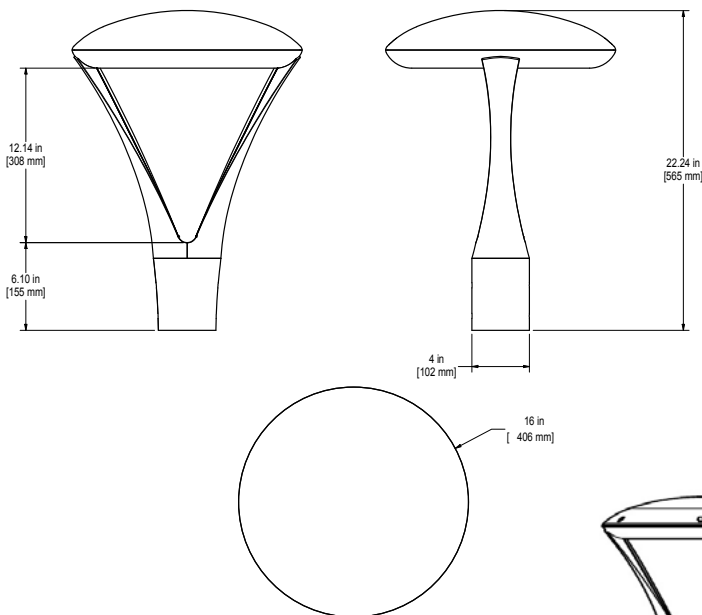
ELECTRICAL DATA*							
Lumens	Wattage	120V	208V	240V	277V	347V	480V
3L	20.30	0.17	0.10	0.08	0.07	0.06	0.04
5L	34.20	0.29	0.16	0.14	0.12	0.10	0.07
6L	41.40	0.35	0.20	0.17	0.15	0.12	0.09
8L	54.90	0.46	0.26	0.23	0.20	0.16	0.11
10L	70.30	0.59	0.34	0.29	0.25	0.20	0.15
12L	85.40	0.84	0.48	0.42	0.36	0.29	0.21
14L	100.40	0.84	0.48	0.42	0.36	0.29	0.21

\*Electrical data at 25C (77F). Actual wattage may differ by +/-10%.

RECOMMENDED LUMEN MAINTENANCE (1)					
Ambient Temp	Lumen Multiplier				
	C	0 hrs. (2)	25K hrs. (2)	50K hrs. (2)	75K hrs. (3)
0 C - 40 C	100%	99%	96%	93%	90%

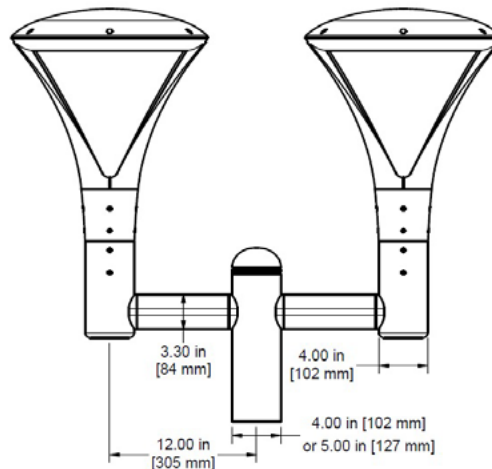
- Lumen maintenance values at 25°C are calculated per TM-21 based on LM-80 data and in-situ luminaire testing.
- In accordance with IESNA TM-21-11, Projected Values represent interpolated value based on time durations that are within six times (6X) the IESNA LM-80-08 total test duration (in hours) for the device under testing ((DUT) i.e. the packaged LED chip).
- In accordance with IESNA TM-21-11, Calculated Values represent time durations that exceed six times NA LM-80-08 total test duration (in hours) for the device under testing ((DUT) i.e. the packaged LED chip).

## PRODUCT DIMENSIONS

[Back to Quick Links](#)

### Post Top Wall Mount Bracket

1.5G rated Wall Mount Arm mounts to standard 4" steel J-Box (Supplied by others) and is provided with masonry anchors for extra support.



### D180 Post Top Arm Bracket

Optional D180 1.5G rated Arm Assembly Mounts to 4" or 5" Dia. D180 Bolt-on Pole Consult factory for alternate configurations.

LUMINAIRE EPA CHART - OPS PT		
	Mounting	EPA
■ PT Single	PT	0.75
■ PTO D180°	PT	1.75



# Opulence Small Post Top

## CONTROLS

---

### Integral Bluetooth™ Motion and Photocell Sensor (IMSBT)

Slim low profile sensor provides multi-level control based on motion and/or daylight. Sensor controls 0-10 VDC LED drivers and is rated for cold and wet locations (-30° C to 70° C). Two unique PIR lenses are available and used based on fixture mounting height. All control parameters are adjustable via an iOS or Android App capable of storing and transmitting sensor profiles.

### AirLink Blue

Wireless Bluetooth Mesh Outdoor Lighting Control System that provides energy savings, code compliance and enhanced safety/security for parking lots and parking garages. Three key components; Bluetooth wireless radio/sensor controller, Time Keeper and an iOS App. Capable of grouping multiple fixtures and sensors as well as scheduling time-based events by zone. Radio/Sensor Controller is factory integrated into Area/Site, Wall Mounted, Parking Garage and Canopy luminaires.

