

Job: _____
 Job Site: _____ State: _____ Client Name: _____
 Notes: _____ Approvals: _____ Date: _____

Pole Top Options: Open top is standard. Removable top cap or tenons are available as options. Tenon options: 2-3/8" O.D. or 3" O.D. 4 inch height is standard for 2 3/8" OD and 3 inch height is standard for 3" OD.

Pole Shaft: 4 inch round straight aluminum with 0.125" wall thickness. Seamlessly extruded from 6063-T6 alloy.

Pole Height: Standard pole height is 16 ft. Optional heights are 14, 12, 10 and 8 ft. Custom heights are also available.

Handhole: 2-1/2" X 4" size handhole is located at 18 inches from the base. An aluminum handhole cover with 2 screws is provided. A ground lug with set screw is located near the handhole opening for proper grounding of the pole.

Color: Black powder coat.

Anchor Bolts: A set of 4 galvanized steel anchor bolts is provided with each pole assembly. Each anchor bolt includes 2 nuts and 2 washers. Top portion of the anchor bolt is threaded for securing and leveling the pole with the provided nuts and washers. An actual size paper anchor bolt template is provided.

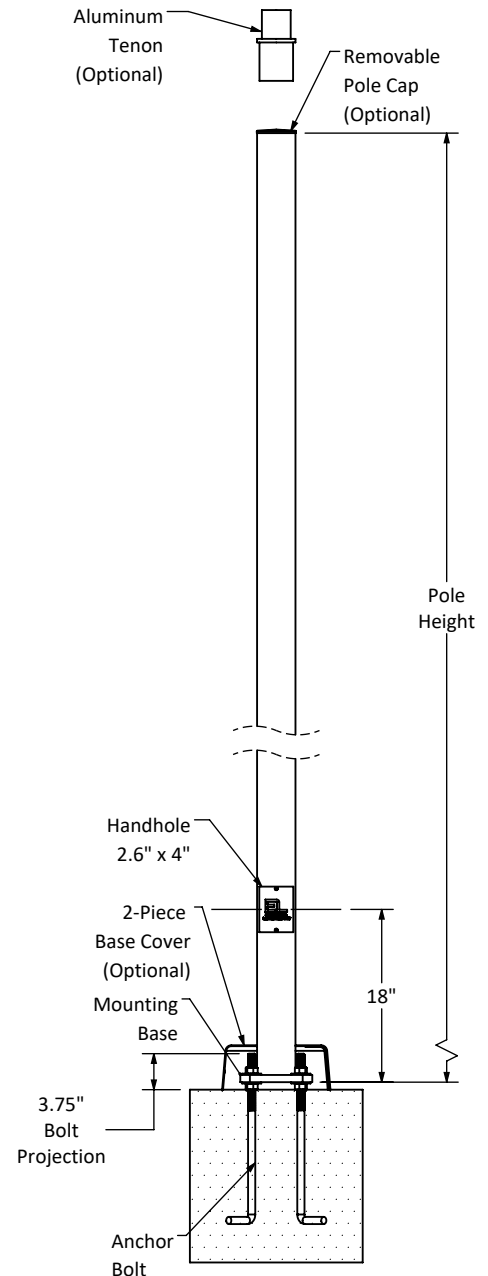
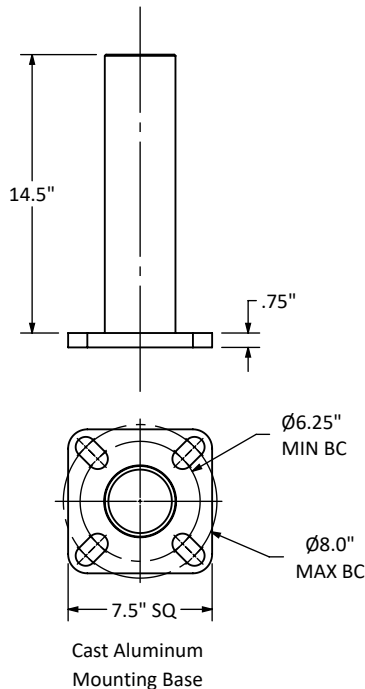
Base Cover: An optional two-piece base cover is available for additional cost.

Maximum Load: Designed to support single light with a maximum weight of 60 lbs.

Warranty: 5 Years.

Foundation design: Foundation should be designed by an engineer familiar with local soil and wind conditions as well as local code where the pole(s) will be installed.

Pole Height (ft)	EPA (ft2) per AASHTO LRFDLTS-1						Pole Weight (lbs)
	110 mph	115 mph	120 mph	140 mph	160 mph	170 mph	
8	8.5	8.0	7.4	5.5	4.3	3.5	23
10	6.9	6.5	6.1	3.8	2.6	2.4	27
12	5.6	4.7	4.1	2.5	1.6	1.3	30
14	3.9	3.4	2.8	1.6	0.7	0.5	32
16	2.3	1.9	1.7	0.5	-	-	38



Disclaimer: All dimensions and specifications are subject to change without any notice. Energy Light, Inc. is not responsible for any claims arising from improper loading (what is attached to the light pole), improper use, incorrect foundation design and/or installation.