



20A6RS188S

# 20 Foot Round Straight Aluminum Security Camera Pole, 6 Inch Diameter, 0.188 Inch Wall Thickness

Job: \_\_\_\_\_  
 Job Site: \_\_\_\_\_ State: \_\_\_\_\_ Client Name: \_\_\_\_\_  
 Notes: \_\_\_\_\_ Approvals: \_\_\_\_\_ Date: \_\_\_\_\_

**Pole Configuration:** Our security camera poles can be drilled to meet your specifications. The drill pattern, location and orientation need to be provided by the customer. A removable top cap or tenon is provided. The most common tenon option is a 2-3/8 inch diameter tenon; however, other options are available.

**Pole Shaft:** The pole shaft is constructed of seamless extruded tube of 6063 Series Aluminum Alloy per the requirements of ASTM B221.

**Handhole:** Reinforced, 3" X 5" curved Cast Aluminum Frame handhole with cover is located at 18 inches from the base. Ground lug is included.

**Finish:** Commercial grade, super durable powder coat finish.

Dark Bronze is standard color. White, Black, Gray colors are provided at no extra charge.

Other colors and custom color options are available at a surcharge.

**Anchor Bolts:** A set of 4 galvanized steel anchor bolts is provided with each pole assembly. Each anchor bolt includes 1 Hex Nut, 1 Lock Washer and 1 Flat Washer.

Energy Light, Inc. recommends leveling shims instead of leveling nuts.

No grouting is required with leveling shims. Shims are available at a surcharge.

An actual size paper anchor bolt template is provided.

**Bolt Circle Range:** 9"-10".

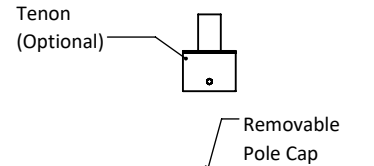
**Base Style:** 4 Bolt Cast Aluminum Base Flange of Alloy 356-T6 with Aluminum Bolt Covers (Alloy 356-F) and Stainless Steel Hex Head Attaching Screws.

**Other Options:** The following options are available:

Vibration damper, custom tenon sizes, custom colors, electric/GFI outlets, custom pole heights, additional handhole and UL compliant handholes.

**Warranty:** 10 Years.

**Foundation design:** Foundation should be designed by an engineer familiar with local soil and wind conditions as well as local code where the pole(s) will be installed.



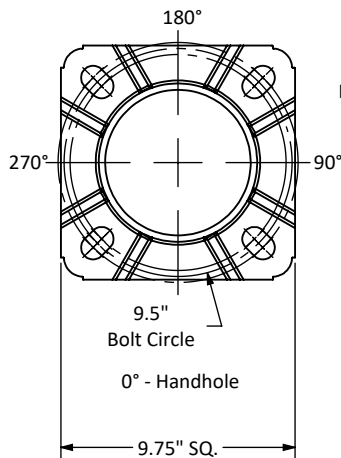
Drill per Customer Specifications



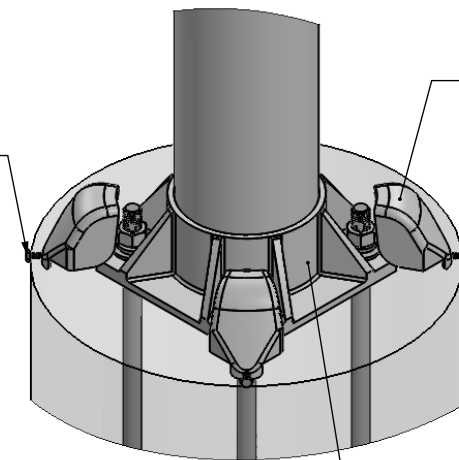
6" Dia. Straight Aluminum Pole  
0.188" Wall Thickness

20'

Maximum EPA with 1.3 Gust Factor (ft <sup>2</sup> )				Pole Weight (lbs)
90 mph	100 mph	120 mph	130 mph	
16.2	12.8	9.8	8.2	96



Stainless Steel Hex Head Screw (4 Places)



4 Bolt Cast Aluminum Base Flange with Aluminum Bolt Covers

Bolt Cover (4 Places)

Reinforced Handhole with cover

18"

2.75" Bolt Projection

Anchor Bolt 3/4" x 30" x 3"

**Disclaimer:** All dimensions and specifications are subject to change without any notice. Energy Light, Inc. is not responsible for any claims arising from improper loading (what is attached to the light pole), improper use, incorrect foundation design and/or installation.