



30A6SS188S

30 Foot Square Straight Aluminum Security Camera Pole, 6 Inch Wide, 0.188 Inch Wall Thickness

Job: _____
 Job Site: _____ State: _____ Client Name: _____
 Notes: _____ Approvals: _____ Date: _____

Pole Configuration: Our security camera poles can be drilled to meet your specifications. The drill pattern, location and orientation need to be provided by the customer. A removable top cap or tenon is provided. The most common tenon option is a 2-3/8 inch diameter tenon; however, other options are available.

Pole Shaft: 30 ft. height above ground, 6 inches square straight aluminum with 0.188" wall thickness. The pole shaft is constructed of seamless extruded tube of 6063 Series Aluminum Alloy per the requirements of ASTM B221.

Handhole: 3" X 5" handhole is located 18 inches above ground. Handhole cover with 2 screws is provided. A ground lug with set screw is located near the handhole opening for proper grounding of the pole.

Anchor Bolts: A set of 4 galvanized steel anchor bolts is provided with each pole assembly. Each anchor bolt includes 1 Hex Nut, 1 Lock Washer and 1 Flat Washer. Energy Light, Inc. recommends leveling shims instead of leveling nuts.

No grouting is required with leveling shims. Shims are available at a surcharge. An actual size paper anchor bolt template is provided.

Bolt Circle Range: 12" - 13".

Base: Cast Aluminum base flange of alloy 356-T6 with snap-in bolt covers.

Finish: Commercial grade, super durable powder coat finish.

Dark Bronze is standard color. White, Black, Gray colors are provided at no extra charge.

Other colors and custom color options are available at a surcharge.

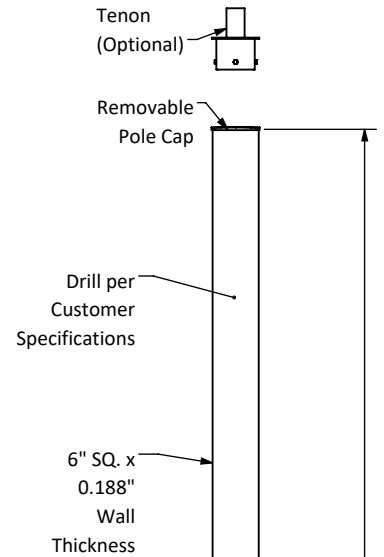
Other Options: Please consult one of our security camera pole experts for details.

The following options are available:

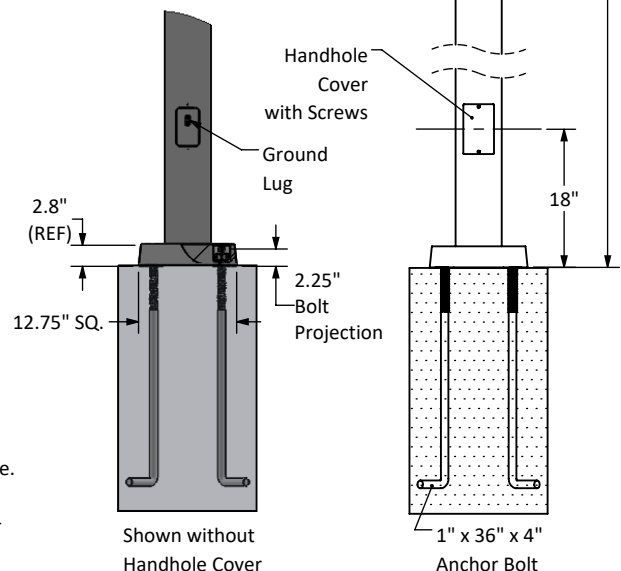
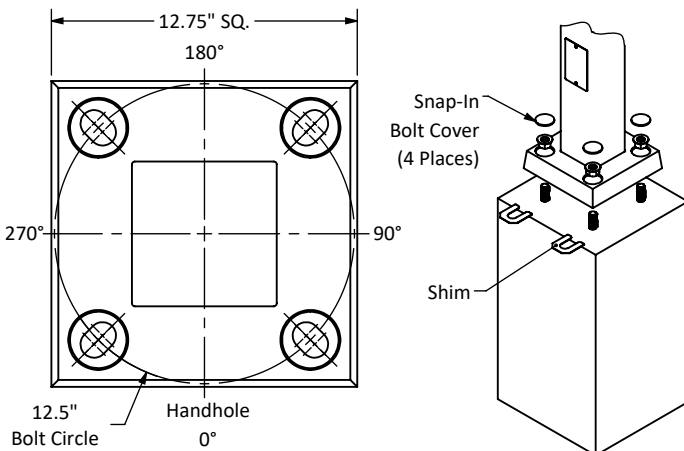
Vibration damper, custom tenon sizes, custom colors, electric/GFI outlets, custom pole heights, additional handhole and UL compliant handholes.

Warranty: 10 Years

Foundation design: Foundation should be designed by an engineer familiar with local soil and wind conditions as well as local code where the pole(s) will be installed.



Maximum EPA with 1.3 Gust Factor (ft ²)					Pole Weight (lbs)
90 mph	100 mph	110 mph	120 mph	130 mph	
8.8	5.0	4.0	1.6	-	170



Disclaimer: All dimensions and specifications are subject to change without any notice. Energy Light, Inc. is not responsible for any claims arising from improper loading (what is attached to the light pole), improper use, incorrect foundation design and/or installation.