

# 60S13RT188

## 60 Foot Round Tapered Steel Light Pole, 13 Inch Diameter, 7 and 11 Gauge

### PRODUCT DESCRIPTION

**Pole Top Options:** Poles are provided with either a removable top cap or a welded steel tenon. A 2 3/8 inch outside diameter tenon with 4 inches in length is the most common; however, other tenon options are available. Customers should confirm the appropriate tenon size required by their project prior to ordering. Poles with a top cap can also be drilled during fabrication. The drill pattern and orientation need to be provided by the customer unless Energy Light fixtures are being used for the project.

**Pole Shaft:** Depending on the pole height, pole shaft may be single piece or 2-piece assembly conforming to ASTM A595 Grade A or A572 Grade 55. Taper ratio of 0.14in/ft is linear for all poles. If pole height is higher than 50 feet, 2-piece shaft is provided.

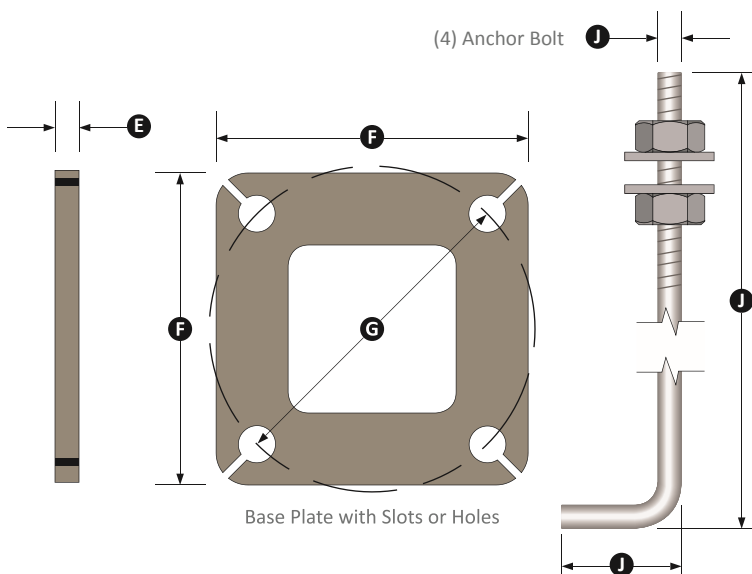
**Handhole:** A reinforced handhole with grounding provision is provided at 18 inches from the base end of the pole assembly. Each handhole includes a cover and the attachment hardware. Poles with a 5.90 inch base diameter are supplied with a 3 x 5 inch rectangular handhole. All other pole assemblies are provided with a 4 x 6.5 inch oval handhole. Handhole dimensions are nominal.

**Base Cover:** An ABS plastic base cover consisting of 2 pieces is provided. Plastic rivets or screws are included to securely attach 2 pieces together after pole installation. However, we may provide a steel base cover instead with some poles taller than 50 feet depending on engineering requirements.

**Anchor Bolts:** A set of 4 partially galvanized steel anchor bolts is provided with each pole assembly. Each bolt includes 2 nuts and 2 washers. A portion of the anchor bolt is threaded for securing and leveling the pole with the provided nuts and washers. An actual size paper anchor bolt template is provided.

**Color and Finish Options:** Commercial grade, durable powder coat is standard option. dark bronze, white and black colors are provided at no extra charge. Other colors and custom colors options are available at a surcharge. Hot Dip Galvanizing is available with a surcharge and extended lead-times. Powder coated galvanized poles are also available as a premium option.

**Other Options:** Following options are available for an additional charge. Please consult one of our light pole experts for details: Custom tenon size, custom color, electric/GFI outlet, custom pole height, additional handhole, custom base plate dimensions.



Specification Table		
Mounting Height (ft.)	<b>A</b>	60
Gauge	<b>B</b>	7 and 11
Top Diameter (in.)	<b>C</b>	4.83
Butt Diameter (in.)	<b>D</b>	13
Base Thickness (in.)	<b>E</b>	1.5
Base Width (in.)	<b>F</b>	18
Bolt Circle (in.)	<b>G</b>	17
Bolt Projection (in.)	<b>H</b>	5.75
Handhole Cover (in.)	<b>I</b>	4 x 6.5
Anchor Bolt Size (in.)	<b>J</b>	1.5 x 54 x 6
Bolt Circle Range (in.)	-	n/a
Pole Weight (lbs.)	-	1075

Maximum EPA with 1.3 Gust Factor:		
80 mph:	30.1	Square Feet
90 mph:	24.5	Square Feet
100 mph:	20.2	Square Feet

