

220 watt High Performance LED Area Light. 23,000 lumens. Made in USA. # 712014



High Performance LED Light Fixtures are designed to deliver high lumen packages with precise optical control. Modern, sleek, low profile design minimizes wind load while maximizing heat dissipation. 10 Year Limited Warranty is standard with our Made in USA LED fixtures.

Construction and materials: Die cast aluminum frame specifically designed for this fixture has weather-tight LED driver compartments and ultra-effective heat sinks. Combination of a proprietary Tough-Coat epoxy primer and ultra-durable powder topcoat provides superior resistance to corrosion and UV degradation. Luminaire and its finish are endurance tested to withstand 5,000 hours of elevated ambient salt fog conditions as defined in ASTM Standard B 117.

Mounting:

- Direct mount arm: Mounts to the side of square or round poles (minimum 4" shaft).

Electrical System:

- Voltage: 120-277 V or 347-480V, 50/60 Hz, Class 1 Drivers
- Power factor: >0.9 at full load
- Total Harmonic Distortion (THD): <20% at full load
- 10 kV surge suppression protection tested in accordance with IEE/ANSI C62.41.2

Certifications and Regulatory Qualifications:

- Meets buy American requirements within ARRA.
- UL listed (USA and Canada). Suitable for wet locations.
- IDA approved. Dark Sky friendly.
- RoHS compliant.
- DLC listed.
- Certified to ANSI C136.31-2001, 3G bridge and overpass vibration standards.
- Meets FCC Part 15 standards for conducted and radiated emissions.

Performance and Characteristics:

System Watts: 220

Equivalent to: 750 Watt HID


Estimated Life: 100,000 hours

Lumen Maintenance Factor (LMF): 0.91 at 59 degree ambient

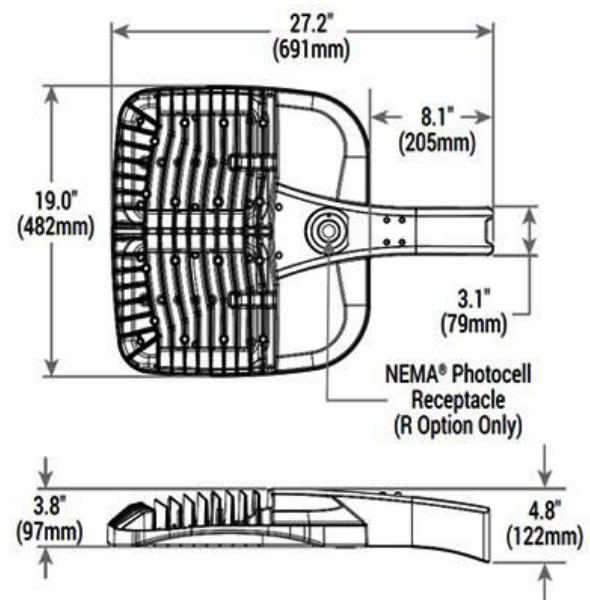
Weight (lbs.): 29

EPA: 0.80

Warranty: 10 Years

Manufactured in USA by **CREE** 

Dimensional Drawing:



total current (Amps)	
120V	1.94
208V	1.13
240V	0.99
277V	0.85
347V	0.65
480V	0.47
lumens	
Type 3	23000
Type 4	22500
Type 5	21000