

**GE Evolve™**

LED L-Series Wall Pack  
EWLS

**current**  
powered by GE



## GE Evolve™

### LED L-Series Wall Pack

EWLS



The **Evolve** LED L-Series Wall Pack, **EWLS**, is a designed replacement for 50W to 250W HID, while offering significant energy savings in a long-life LED wall pack. The EWLS's 2-screw housing design enables a fast and simplified installation. The low-watt Egress package (13W) is designed to meet recommended illuminance requirements for egress applications such as side and rear exit doors in commercial buildings and can meet NFPA 101 life safety lighting requirements when used with external battery backup.

### Features:

- 1500 and 4000 lumen output
- High Brightness LEDs
- 70 CRI @ 3000K, 4000K, and 5000K typical
- L90 > 100,000 hours (1500lm), L90 > 60,000 hours (4000lm)
- Designed to replace 50W to 250W MH wallpacks
- Small Form Factor, <10 lbs
- 0-10V Dimming
- Motion Sensor & Button Photo Electric Sensors available
- Impact resistant tempered glass lens
- Zero up-light construction, full cut-off
- International Dark-Sky Association (IDA) Approved for 3000K CCT

### Applications:

- Building entrances & perimeter lighting
- Side and rear exit doors
- Stairways and entry path
- Schools, Apartment Buildings, Hospitals
- Retail & Commercial Buildings
- Loading docks



To learn more about **GE Evolve LED L-Series Wall Pack**, go to: <http://products.currentbyge.com>

# GE Evolve™

## LED L-Series Wall Pack

EWLS



Project name \_\_\_\_\_  
 Date \_\_\_\_\_  
 Type \_\_\_\_\_

### Typical Specifications: EWLS

#### LED & Optical

- **Lumen Packages:** 1500 & 4000
- **System Efficacy:** Up to 125 lpw
- **CCT:** 3000K, 4000K, 5000K; High brightness LEDs.
- **CRI:** 70
- Upward Light Output Ratio (ULOR) = 0.
- Custom engineered reflective optics for optimized photometry.
- High application efficiency and minimal glare.

#### Electrical

- **Input Voltage:** 120-277 volt and 347 volt
- **Input Frequency:** 50/60Hz
- **Power Factor (PF):** >90%
- **Total Harmonic Distortion (THD):** <20%
- **Surge Protection:** Integral surge protection

#### Ratings

- **Operating Temperature:** -40° to 50°C
- **Storage Temperature:** -40° to 50°C
- **Location:** Dry or Wet
- **Safety:** UL/cUL Listed. UL 1598 listed, suitable for wet locations.
- **DLC Premium & Standard** qualified models available. Please refer to <http://www.designlights.org/QPL> for complete information.
- **Environmental:** Compliant with the materials restrictions of RoHS.
- LM-79 testing in accordance with IESNA Standards.
- Optical enclosure IP66 per ANSI C136.25-2009.

#### Lumen Maintenance

- Projected L90>100,000 hours per IES TM-21 for 15AF optical codes.
- Projected L90>60,000 hours per IES TM-21 for 40AF optical codes.
- Projected Lxx per IES TM-21 at 25°C for reference:

Optical Codes	Lxx (10k) @ Hours**		
	25,000 hr	50,000 hr	100,000 hr
15AF	L96	L95	L91

Optical Codes	Lxx (10k) @ Hours**		
	25,000 hr	50,000 hr	100,000 hr
40AF	L95	L92	L85

Note: \*Projected Lxx based on LM80 (10,000 hour testing). DOE Lighting Facts Verification Testing Tolerances apply to initial luminous flux and lumen maintenance measurements.

#### Construction & Finish

- **Housing:**
  - Die-cast aluminum. Integrated heat sink for maximum heat transfer.
  - Patented aesthetic design to complement your building façade.
- **Lens:** Impact resistant tempered glass lens.
- **Paint:** Corrosion resistant polyester powder painted, minimum 2.0 mil. thickness.
  - Standard Colors: Dark Bronze, Black, White, Gray
  - RAL & custom colors available.
- **Weight:** 8.5lbs (4 kg)

#### Warranty

- **System Warranty:** 5 Year Standard, 10 Year Optional.

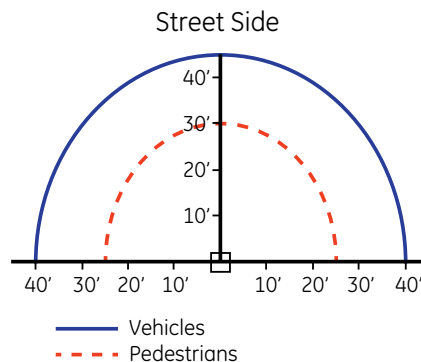
#### Controls

- **Dimming:** Wired Analog 0-10V Dimming.<sup>1</sup>
  - **Sensors:**
    - Button Photo Electric sensor (PE) available 120-277V & 347V.
    - CA Title 24 Compliant Occupancy Sensor Option.<sup>1</sup>
- <sup>1</sup> Available with Optic Code 40AF

#### Mounting

- Mounts to standard 3-1/2" to 4" round and octagonal, 4" square, single gang and masonry junction boxes.
  - **Flush Mount:** Mounts directly to customer supplied junction box.
  - **Conduit Box Mount:** Mounts to walls via separate mounting box with conduit knockouts.

#### Sensor Pattern:



Sensing Pattern Wall Pack Fixture: 8-25 ft.

GE Evolve™

# LED L-Series Wall Pack

EWLS



Project name \_\_\_\_\_  
 Date \_\_\_\_\_  
 Type \_\_\_\_\_

**EWLS 01**

**7**

PRODUCT	GENERATION	VOLTAGE	OPTICAL CODE	CRI	CCT	DIMMING	CONTROLS	MOUNTING	COLOR	OPTIONS
E = Evolve W = Wallpack L = L-series S = Standard	01 = Generation	0 = 120-277V* 1 = 120V 2 = 208V 3 = 240V 4 = 277V D = 347V	15AF = 1500lm, Asymmetric Forward 40AF = 4000lm, Asymmetric Forward	7 = 70 CRI*	30 = 3000K 40 = 4000K* 50 = 5000K  *Select 3000K CCT for IDA Approved units	N = Non-Dimming D = Dimming* Leads ‡  ‡ Dimming not available at 1500lm	1 = None* 3 = Button PE  *Must specify discrete voltage	FM = Flush Mount* CB = Conduit Box Mount**  **Must be selected when ordering with Button PE, Motion Sensor, or 347V	DKBZ = Dark Bronze* BLCK = Black GRAY = Gray WHITE = White	H = Motion Sensor* ### = Special Options J = cUL/Canada W = Non-Graphical White Box

\*Standard Option  
 † = Motion Sensor not available at 1500lm

## Claims Table:

OPTICAL CODE	DIST.	TYPICAL SYSTEM WATTS		TYPICAL INITIAL LUMENS			TYPICAL INITIAL LPW 120-277V			TYPICAL INITIAL LPW 347V			BUG RATING	
		120-277V	347V	3000K	4000K	5000K	3000K	4000K	5000K	3000K	4000K	5000K	3000K	4000K/5000K
15	AF	12	13	1,450	1,500	1,500	121	125	125	112	112	115	B1-U0-U0	B1-U0-U0
40	AF	37	38	3,880	4,000	4,000	105	108	108	102	105	105	B1-U0-U0	B1-U0-U0

CCT	IES FILE NAME 120-277V			IES FILE NAME 347V		
3000K	EWLS01_15AF730	-120-277V.IES		EWLS01D15AF730	-347V.IES	
4000K	EWLS01_15AF740	-120-277V.IES		EWLS01D15AF740	-347V.IES	
5000K	EWLS01_15AF750	-120-277V.IES		EWLS01D15AF750	-347V.IES	
3000K	EWLS01_40AF730	-120-277V.IES		EWLS01D40AF730	-347V.IES	
4000K	EWLS01_40AF740	-120-277V.IES		EWLS01D40AF740	-347V.IES	
5000K	EWLS01_40AF750	-120-277V.IES		EWLS01D40AF750	-347V.IES	



MODELS AVAILABLE THROUGH QUICKSHIP PROGRAM		
SKU #	CAT LOGIC	DESCRIPTION
93056860	EWLS01015AF740N1FMDKBZ	1500lm, 4000K, Flush Mount
93060201	EWLS01015AF750N1FMDKBZ	1500lm, 5000K, Flush Mount
93059497	EWLS01040AF740N1FMDKBZ	4000lm, 4000K, Flush Mount
93060200	EWLS01040AF750N1FMDKBZ	4000lm, 5000K, Flush Mount
93060202	35-434281R01	Conduit Box Mount (QTY 1)
93060203	35-966640-01	Conduit Box Mount (QTY 5)

## Accessories:

PRODUCT ID	DETAIL	FINISH
E = Evolve W = Wallpack L = L-series S = Standard	A = Accessory E = Escutcheon Plate	1 = 10" x 12" 2 = 12" x 16" 3 = 12" x 20"  DKBZ = Dark Bronze* BLCK = Black GRAY = Gray WHITE = White  RAL customer colors available. Contact Manufacturer

PRODUCT ID	DETAIL
E = Evolve W = Wallpack L = L-series S = Standard	A = Accessory D = Diffuser

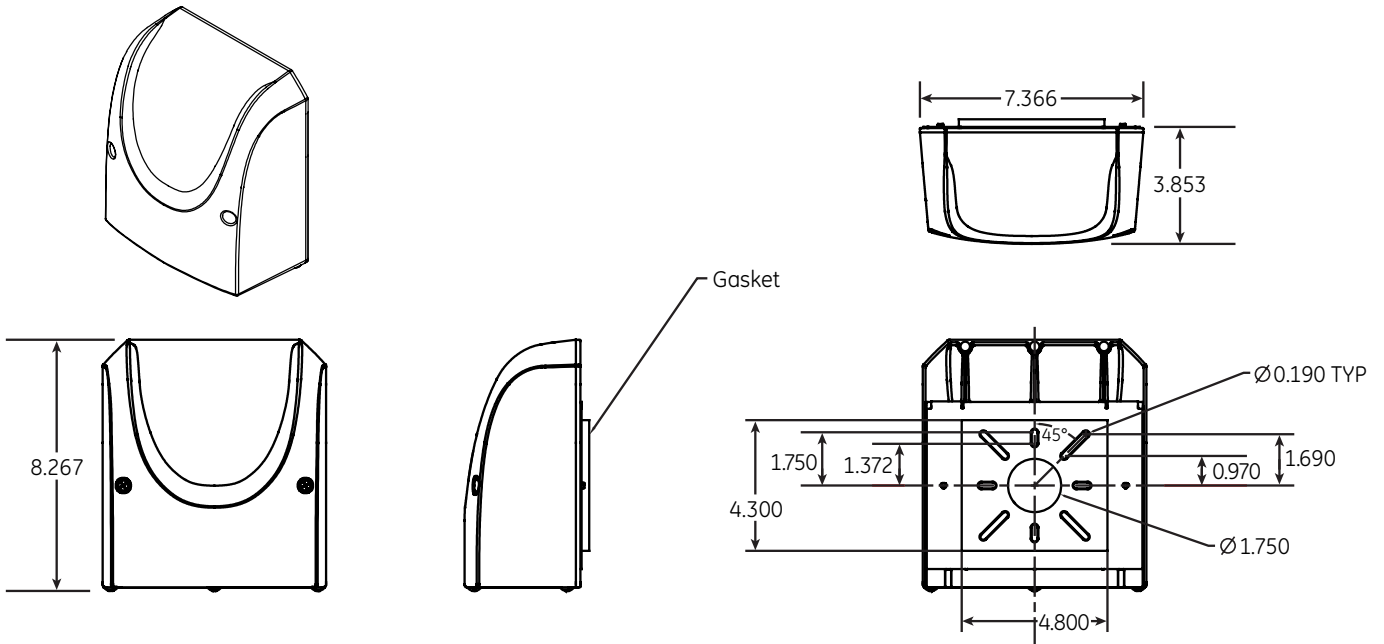
## Motion Sensing Option:

- Intended for 8-25 ft. mounting heights.
- Provides a coverage area radius for walking motion of 25-30 ft.
- Provides 180° of coverage (~180° is blocked by the wall).
- Factory preset to 50% dimming with no occupancy.
- May be reprogrammed using additional remote programmer.
  - Remote programmer part number: WS FSIR-100 PROGRAMMER (197634)
- Photoelectric control is integrated through the motion sensor, and is offered as standard.

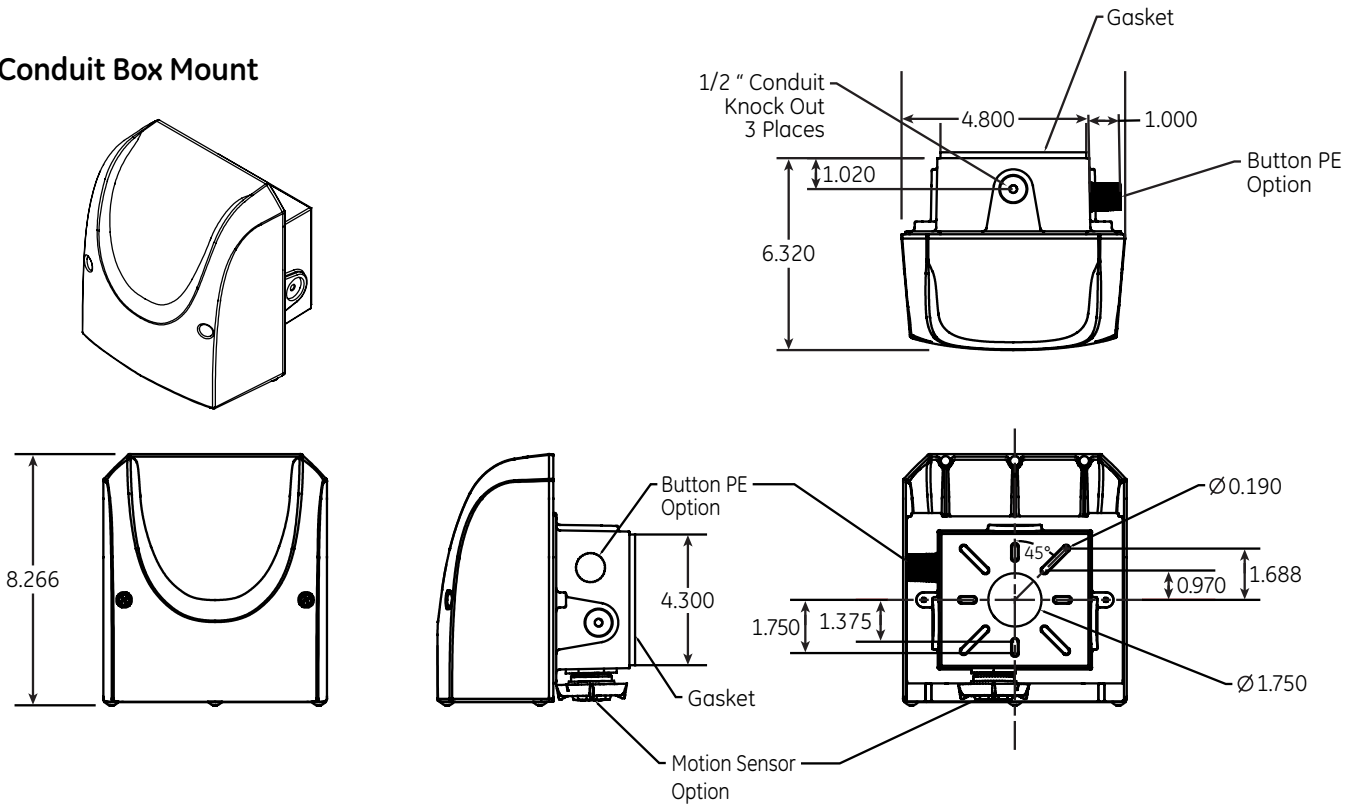
**GE Evolve™**  
LED L-Series Wall Pack  
EWLS

**Product Dimensions:**

**Flush Mount**



**Conduit Box Mount**

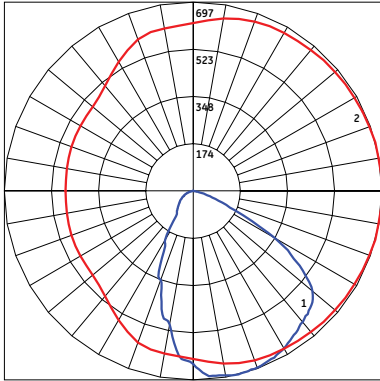




Photometrics:

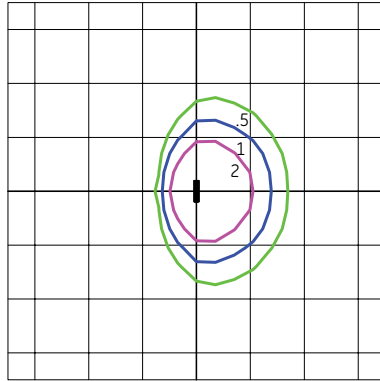
**15AF: 1500 LUMEN, ASYMMETRIC FORWARD**

EWLS01\_15AF750\_\_\_\_\_ -120-277V.ies



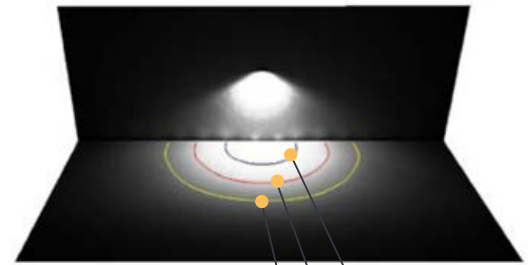
# 1 - Vertical plane through horizontal angle of maximum candlepower at 0°

# 2 - Vertical plane through horizontal angle of 14°



Grid Distance in Units of Mounting Height at 10' Initial Foot-candle Values at Grade.

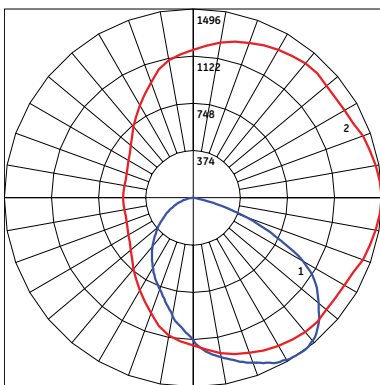
SHOWN AT 10' MOUNTING HEIGHT FOR DISPLAY PURPOSES ONLY



2 Foot Candle  
1 Foot Candle  
0.5 Foot Candle

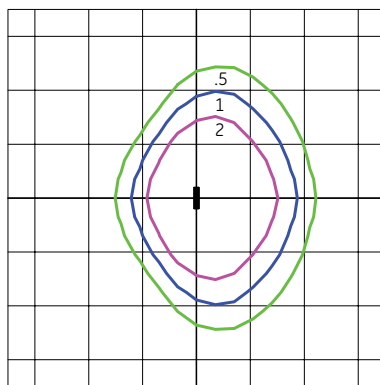
**40AF: 4000 LUMEN, ASYMMETRIC FORWARD**

EWLS01\_40AF750\_\_\_\_\_ -120-277V.ies



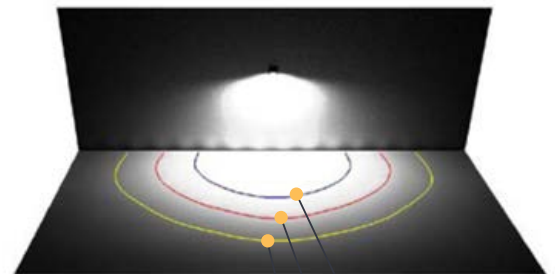
# 1 - Vertical plane through horizontal angle of maximum candlepower at 0°

# 2 - Vertical plane through horizontal angle of 36°

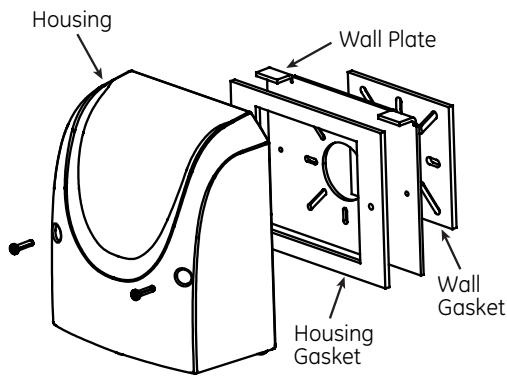


Grid Distance in Units of Mounting Height at 10' Initial Foot-candle Values at Grade.

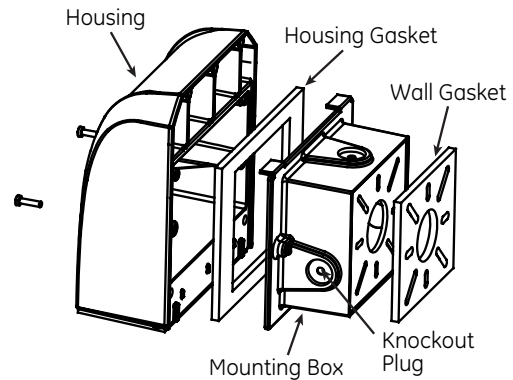
SHOWN AT 10' MOUNTING HEIGHT FOR DISPLAY PURPOSES ONLY



2 Foot Candle  
1 Foot Candle  
0.5 Foot Candle



**Figure 1: Wall Plate Install**



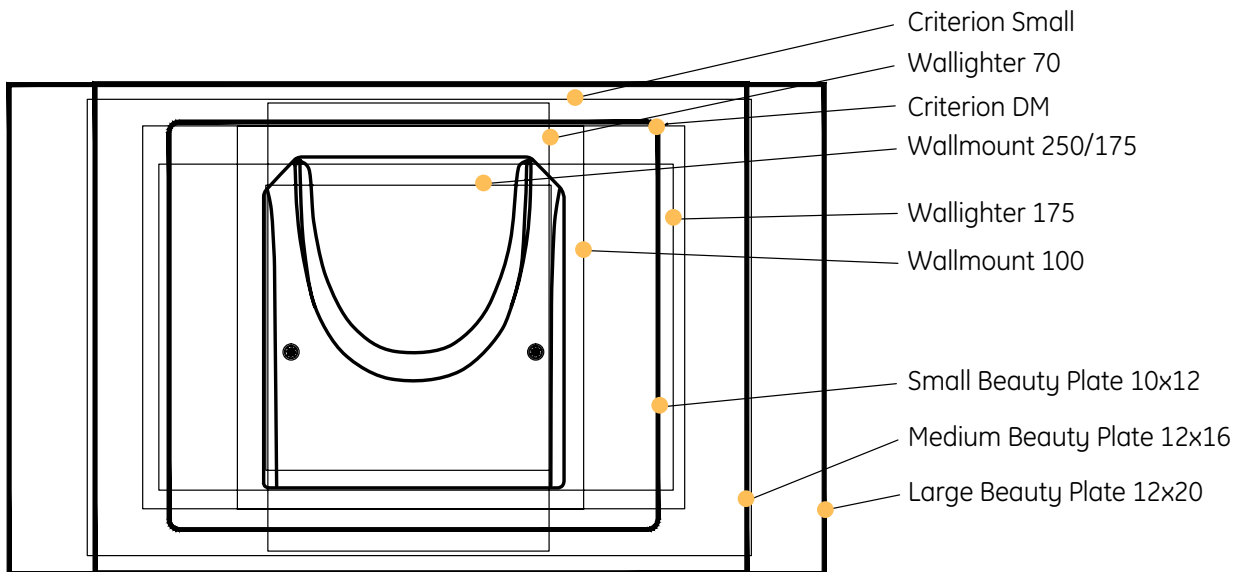
**Figure 2: Mounting Box Install**

Consult product Installation Instructions (GEH 6060) for detailed installation instructions.

## Accessories:

### Beauty Plates

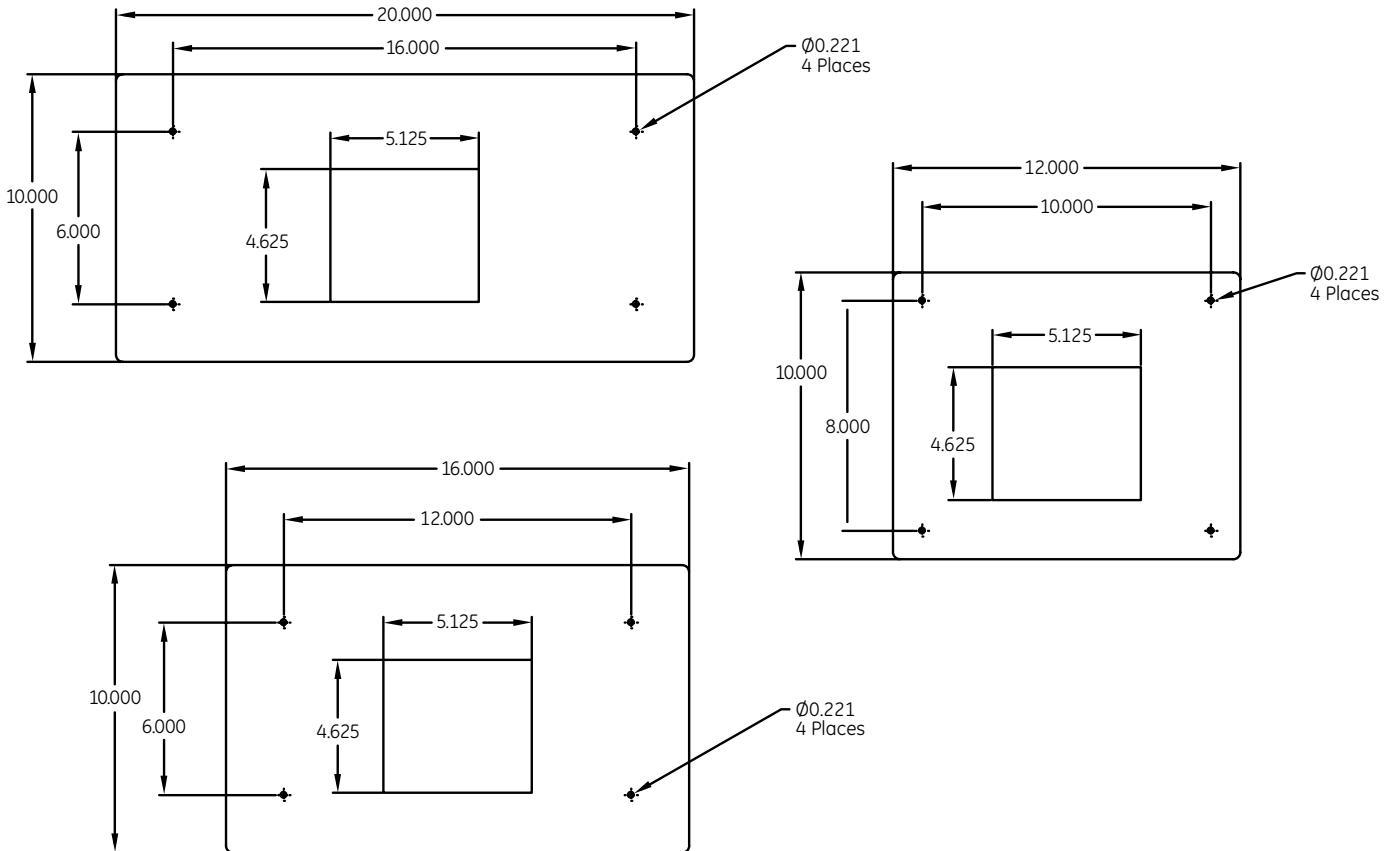
Cover the unsightly debris marks on your building façade with color matched wall pack beauty plates. Mounting hole patterns and dimensions are compatible with typical building surface fastening methods.



Accessories:

Mounting Holes

Mounting hole patterns and dimensions are compatible with typical building surface fastening methods.



Diffuser

Optional diffuser accessory utilizing ACRYLITE®, an acrylic sheet with an elegant texture which performs double duty with beauty and durability for any environment. This added texture diffuses surface reflections. Transmits 90% of the light through diffuser.