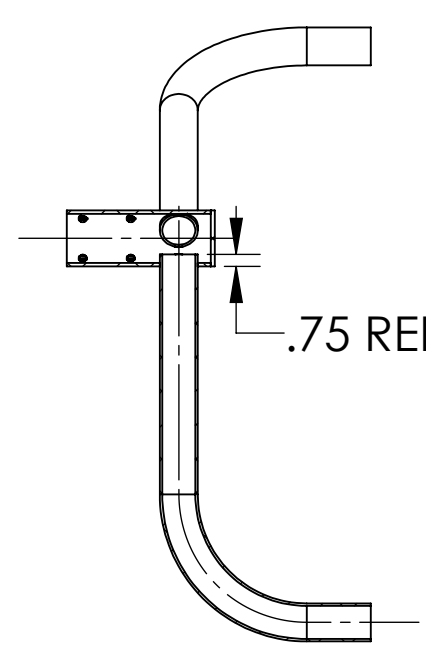


4

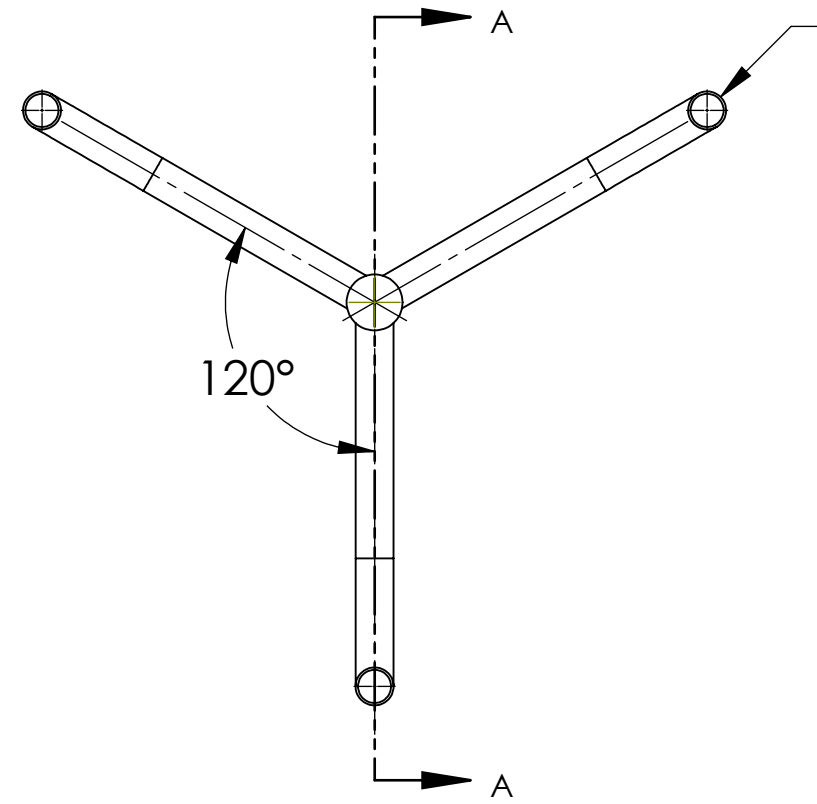
3

2

1

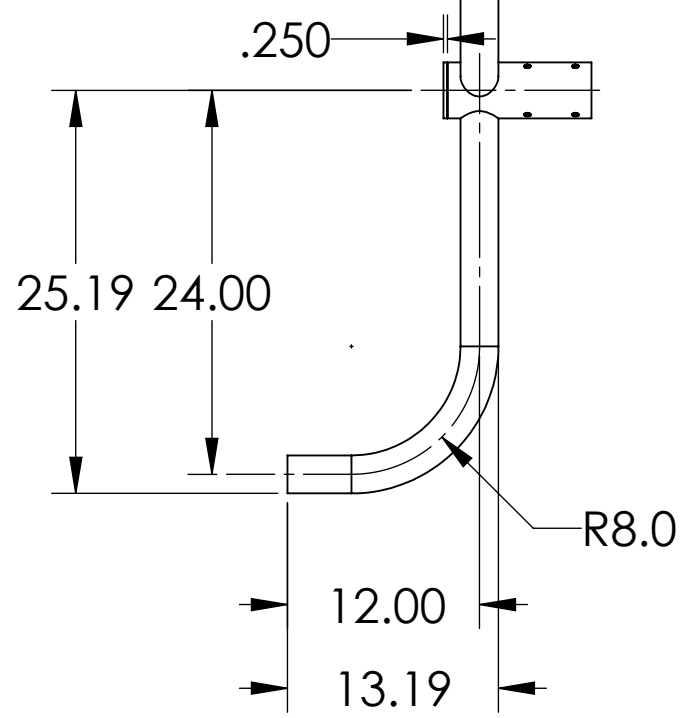


SECTION A-A

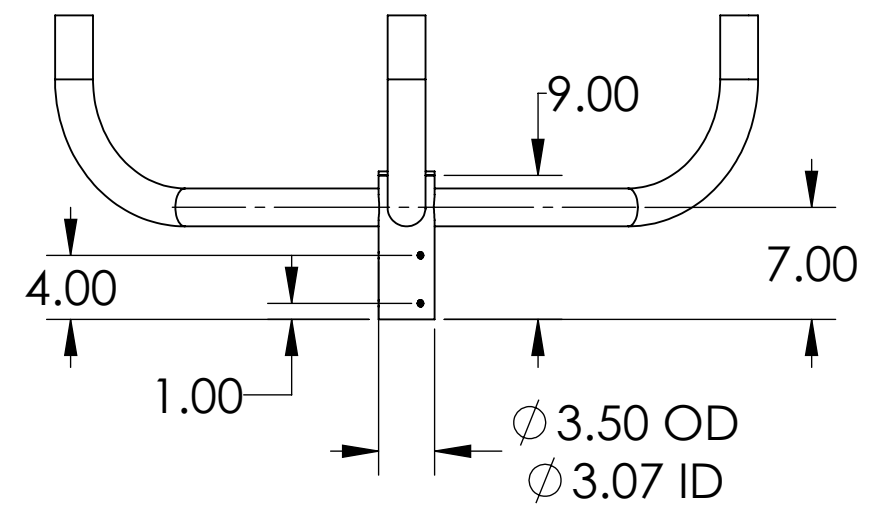


TOP VIEW

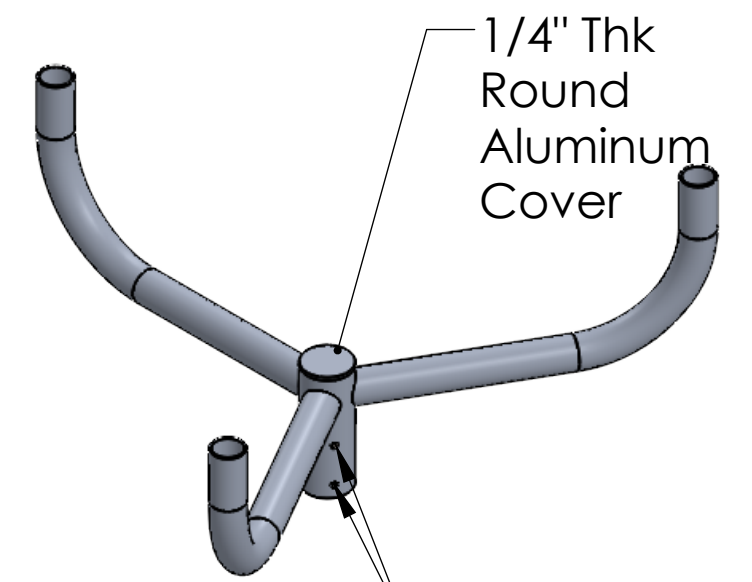
ϕ 2.38 OD
 ϕ 2.07 ID
 TENON
 (3 PLACES)



SIDE VIEW




FRONT VIEW



1/4" Thk Round Aluminum Cover
 SS Cup-Point Set Screw
 1/2"-13 x 1/2" Long
 2 x 3 Places
 120° Apart

PROPRIETARY AND CONFIDENTIAL
 THE INFORMATION CONTAINED IN THIS DRAWING IS THE SOLE PROPERTY OF Energy Light, Inc. ANY REPRODUCTION IN PART OR AS A WHOLE WITHOUT THE WRITTEN PERMISSION OF Energy Light, Inc IS PROHIBITED.

		UNLESS OTHERWISE SPECIFIED:		NAME	DATE	TITLE:			
		DIMENSIONS ARE IN INCHES		DRAWN	MKA	10-26-20	Aluminum Bullhorn with 3 Arms at 120°		
		TOLERANCES:		CHECKED					
		FRACTIONAL: \pm 1/64		ENG APPR.					
		ANGULAR: \pm 0.5°		MFG APPR.					
		TWO PLACE DECIMAL \pm 0.01		Q.A.			SIZE	ITEM NO.	REV
		THREE PLACE DECIMAL \pm 0.005					B	A10064	
		INTERPRET GEOMETRIC TOLERANCING PER:		 Energy Light, Inc 800 E. Northway Highway Palatine, IL 60074		SCALE: 1:12		WEIGHT: 13.5 lbs	SHEET 1 OF 1
		MATERIAL				STEEL			
NEXT ASSY		USED ON		FINISH					
APPLICATION				DO NOT SCALE DRAWING					

4

3

2

1

B

B

A

A