

4

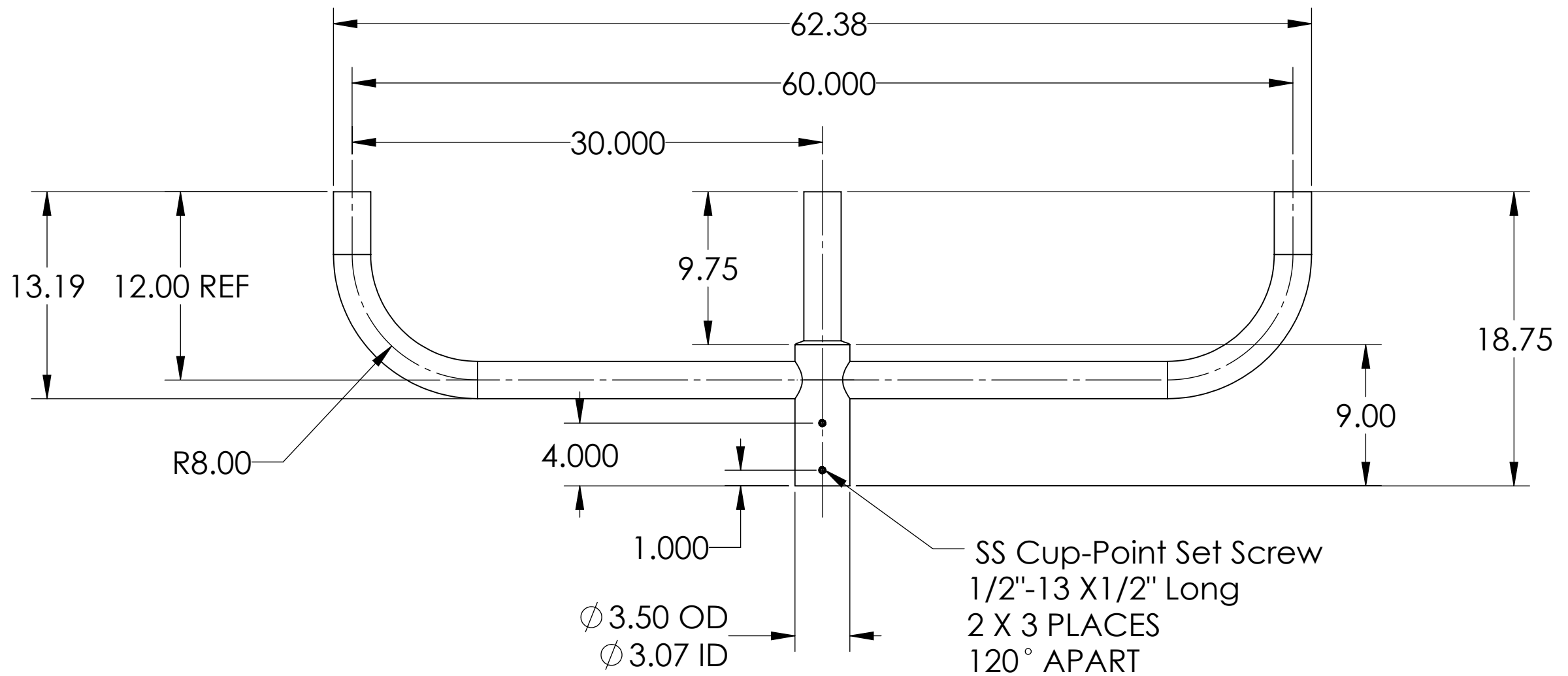
3

2


1

Ø 2.38 OD
Ø 2.07 ID
TENON
(3 PLACES)

TOP VIEW



FRONT VIEW

| | | | |
|--------------------------------------|---------|---|--------------|
| UNLESS OTHERWISE SPECIFIED: | | NAME | DATE |
| DIMENSIONS ARE IN INCHES | | DRAWN | MKA 10-26-20 |
| TOLERANCES: | | ENG APPR. | |
| FRACTIONAL: 1/64 | | MFG APPR. | |
| ANGULAR: ± 0.5° | | Q.A. | |
| TWO PLACE DECIMAL ±0.01 | | | |
| THREE PLACE DECIMAL ±0.005 | | | |
| INTERPRET GEOMETRIC TOLERANCING PER: | |  Energy Light, Inc 800 E. Northway Highway Palatine, IL 60074 | |
| MATERIAL | | | |
| ALUMINUM | | | |
| NEXT ASSY | USED ON | FINISH | |
| APPLICATION | | DO NOT SCALE DRAWING | |

| | | |
|---|------------------|--------------|
| TITLE: | | |
| <h1>Aluminum Bullhorn with 3 Arms Inline</h1> | | |
| SIZE | ITEM NO. | REV |
| B | A10065 | |
| SCALE: 1:8 | WEIGHT: 12.5 lbs | SHEET 1 OF 2 |

PROPRIETARY AND CONFIDENTIAL
 THE INFORMATION CONTAINED IN THIS DRAWING IS THE SOLE PROPERTY OF *Energy Light, Inc.* ANY REPRODUCTION IN PART OR AS A WHOLE WITHOUT THE WRITTEN PERMISSION OF *Energy Light, Inc.* IS PROHIBITED.

B

B

A

A

4

3

2

1

4

3

2

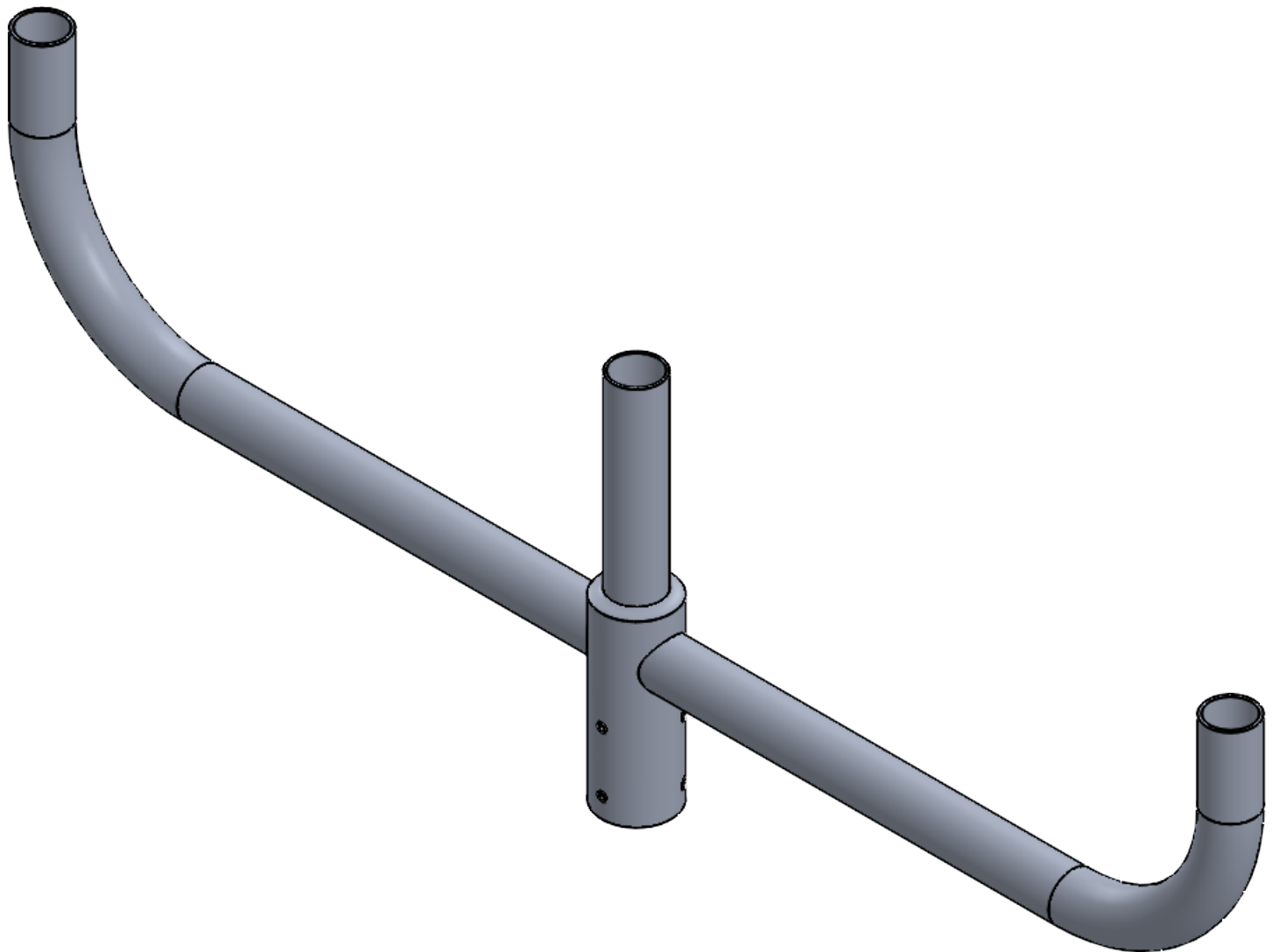
1

B


B

A

A



PROPRIETARY AND CONFIDENTIAL
 THE INFORMATION CONTAINED IN THIS DRAWING IS THE SOLE PROPERTY OF *Energy Light, Inc.* ANY REPRODUCTION IN PART OR AS A WHOLE WITHOUT THE WRITTEN PERMISSION OF *Energy Light, Inc.* IS PROHIBITED.

| | | | | | | | | | |
|-------------|---------|--|--|---|------|---|---------|--------------|-----|
| | | UNLESS OTHERWISE SPECIFIED: | | NAME | DATE | TITLE: Aluminum Bullhorn with 3 Arms Inline | | | |
| | | DIMENSIONS ARE IN INCHES TOLERANCES: FRACTIONAL ± 1/64 ANGULAR: ± 0.5° TWO PLACE DECIMAL ±0.01 THREE PLACE DECIMAL ±0.005 | | DRAWN | MKA | | | 10-26-20 | |
| | | INTERPRET GEOMETRIC TOLERANCING PER: | | ENG APPR. | | | | | |
| | | MATERIAL | | MFG APPR. | | | | | |
| | | ALUMINUM | | Q.A. | | | SIZE | ITEM NO. | REV |
| NEXT ASSY | USED ON | FINISH | |  Energy Light, Inc 800 E. Northway Highway Palatine, IL 60074 | | B A10065 | | | |
| APPLICATION | | DO NOT SCALE DRAWING | | | | SCALE: 1:8 | WEIGHT: | SHEET 2 OF 2 | |

4

3

2

1