

GE
Lighting

Albeo™ LED Luminaire

Heavy Industrial High Bay & Low Bay Lighting
(ABR1 - Series)



imagination at work

Product Features

The Albeo™ ABR1-Series is an IP66 rated fixture for demanding industrial environments with high ambient temperatures and wet applications. Utilizing a sealed form factor, the ABR1-Series offers customers a rugged design with exceptional performance and high reliability.

Applications

- Designed to meet recommended luminance and illuminance requirements for high bay applications in higher ambient temperatures.
- Certified for IP66 rating on both the optical cavity and electrical housing.
- Corrosive resistant finish recommended for use in natatorium and similar corrosive environments.

Housing





- Die cast aluminum housing.
- ABR1 accommodates a single or double fixture with 1 or 2 LED modules per fixture.

LED & Optical Assembly



- ABR1-series reflector system enable LEDs to provide optimized illumination for open floor and racked aisles with photometric distributions of 55, 90, 120 degrees, and diffuse.
- Choice of low-Iron tempered glass or polycarbonate lens for sealed optical cavity. Both lenses are IK08 impact rated.
- Utilizes high brightness LEDs, 70 CRI at 4000K & 5000K typical.
- LM-79, LM 80 tests and reports are performed in accordance to IESNA standards.

Ratings

Standard:

- DLC qualified. Please refer to: <http://www.designlights.org> QPL for complete information.
-   UL 1598 Suitable for Wet Locations.
-   UL 8750 LED Equipment in Lighting Products.
- -30° C up to 65° C Temperature Rated.
- Projected L70 > 100,000 Life Hours per IES TM-21.
- RoHS

Corrosive Resistant:

-   UL 1598A Inside Drip Proof-Type*
- 3,000 hours of ASTM B117 Salt Spray*
- NEMA 4X Enclosure Type*

* Choose Finish option "R = Corrosion Resistant"

Mounting

- Chain or cable mounting ready.
- Threaded rod kit optional.
- ¾" NPT pendant mount kit optional.
- Rotatable wall/ceiling mount bracket optional.
- Cord length options available.

Finish

- Standard Finish: polyester powder coat.
- Corrosion Resistant Finish: polyester powder coat with passivation layer.
- Standard color: White.

Controls

- Motion and Daylight sensors can be combined for additional energy savings.
- All sensors are IP66 rated.

Electrical

- 120-277 volt and 347/480 volt available.
- System power factor is >90%* and THD <20%*.
- EMI: Title 47 CFR 15 Class A.
- Internal Surge Protection
 - For 120-277VAC per IEEE/ANSI C62.41.-1991, 3kV/3kA Location Category B3.
 - For 347/480VAC per IEEE/ANSI C62.41.-1991, 6kV/3kA Location Category B3.

* System power factor and THD is tested and specified at 120V input and maximum load conditions.

Warranty

- 5-year limited system warranty standard.



Ordering Number Logic

Heavy Industrial High Bay & Low Bay Lighting (ABR1)



ABR1

N

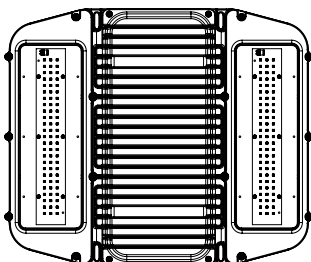
PRODUCT ID	VOLTAGE (UL)	CONFIGURATION	LUMEN OUTPUT	LED COLOR TEMP	OPTICS BEAM	MOTION/DAYLIGHT SENSOR	CONTROL WIRING	MOUNTING	CORD	PLUG	FINISH
A = Albeo	0 = 120V-277V 1 = 120V	1 = Single Fixture (1 LED Module)	T = Standard Output H = High Output	70 Plus CRI 47 = 4000K 57 = 5000K	1 = 120° Glass 5 = 55° Glass 9 = 90° Glass A = 120° PC* B = 55° PC* C = 90° PC* D = 120° PC Diffused*	N = None R = 360° Integrated Motion Sensor* V = Motion, 360° W = Motion, Aisle** X = Daylight *Note: Only sensor available with either Rotatable Bracket or Corrosion Resistant Finish. Not compatible with 347V. **Note: Field-installed sticker included.	N = None V = 0-10V Dimming* *Note: 2-conductor cord for dimming is factory installed. See images below.	ST = Standard (Chain/Cable) 22 = Rod Mount 23 = Pendant 41 = Y-Cable/Hook 5 ft. 42 = Y-Cable/Hook 10 ft. 43 = Y-Cable/Hook 15 ft. 44 = Y-Cable/Hook 20 ft. RB = Rotatable Bracket* *Only available with single fixture	A = 6ft 18ga cord* B = 12ft 18ga cord C = 20ft 18ga cord * 6ft cord standard unless otherwise specified.	N = None	W = White Powder coat R = Corrosion Resistant* *Note: Not compatible with 347V sensors or mounting options 41, 42, 43, or 44.

CONFIG.	LUMEN OUTPUT	TYPICAL INITIAL LUMENS 4000K & 5000K 70 CRI	TYPICAL SYSTEM WATTAGE 120-277V & 347-480V	LPW	MAXIMUM AMBIENT TEMPERATURE
1	T	8,800	64	138	65°C
1	H	11,800	90	131	65°C
2	T	17,400	125	139	65°C
2	H	23,000	178	129	60°C
4	T	34,800	250	139	65°C
4	H	46,000	356	129	60°C

OPTICS BEAM	% OUTPUT
Wide (120°) Glass	100%
Area (90°) Glass	98%
Aisle (55°) Glass	93%
Wide (120°) Polycarbonate	95%
Area (90°) Polycarbonate	94%
Aisle (55°) Polycarbonate	88%
Diffuse (120°) Polycarbonate	90%

Note: Rotatable Mounting Bracket and/or Polycarbonate lens reduces max ambient temperature by 5°C.
R sensor option with glass lens with/without Rotatable Bracket reduces max ambient temperature by 5°C.
R sensor option with polycarbonate lens with/without Rotatable Bracket reduces max ambient temperature by 10°C.

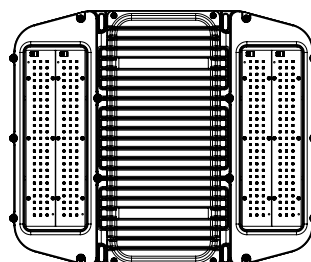
1 LED Module



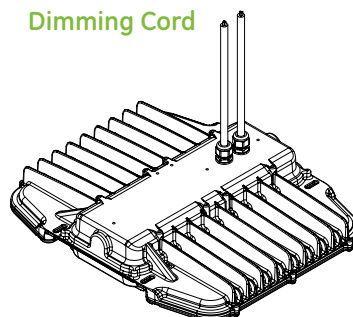
No Dimming



2 LED Module



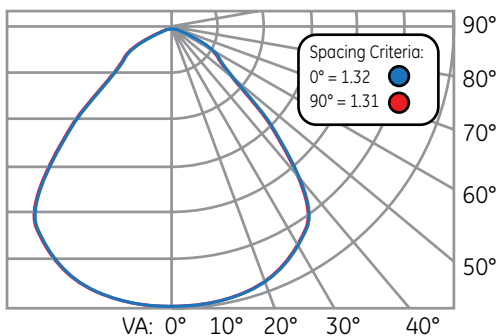
Dimming Cord



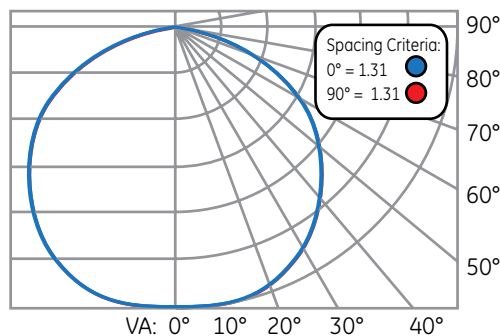
Photometrics

Optics for Common Applications

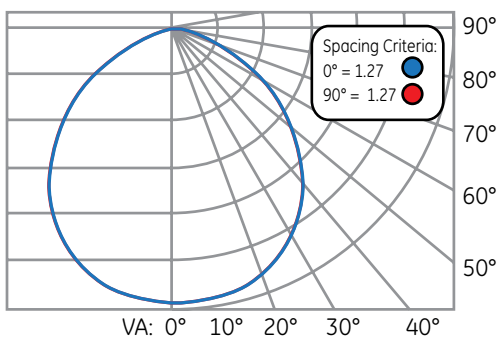
Polar Candela Distribution
90° (Area) Full Beam Angle



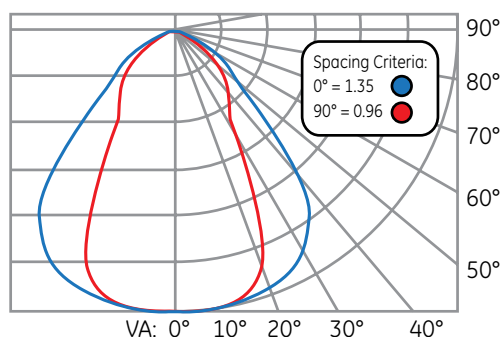
Polar Candela Distribution
120° (Wide) Full Beam Angle



Polar Candela Distribution
120° (Diffuse) Full Beam Angle



Polar Candela Distribution
55° (Aisle) Full Beam Angle

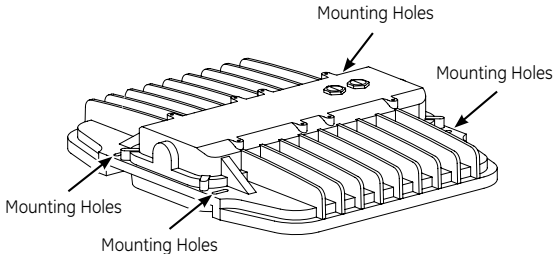
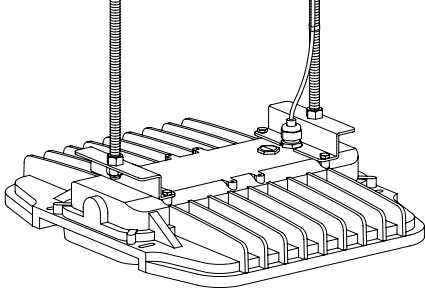
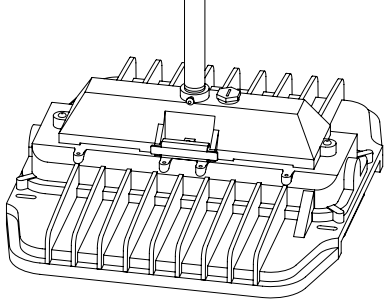
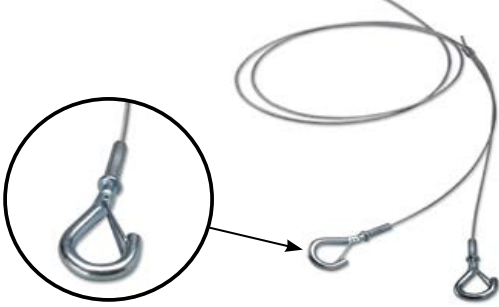
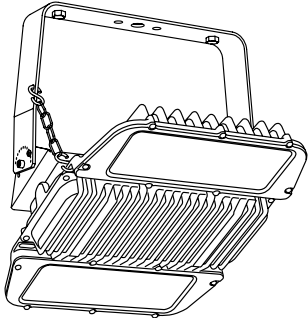


Lens selection by application

The Albeo™ ABR1-series optical reflector system enables LEDs to provide precise illumination where needed. Reflectors are designed for commercial & industrial applications where mounting height, fixture spacing & light levels help determine reflector selection. Choose low-Iron tempered glass or polycarbonate lens for sealed optical cavity. Both lenses are IK08 impact rated. The following table outlines optics options and suggested application.

OPTIC BEAM	MOUNTING HEIGHT	SPACE TYPE
120° (Wide)	Any	Open Floor Plan
90° (Area)	Any	Open Floor Plan
55° (Aisle)	Any	Low or High Bay Racked Aisles
120° Diffuse Polycarbonate	Any	Open Floor Plan

Mounting & Accessories

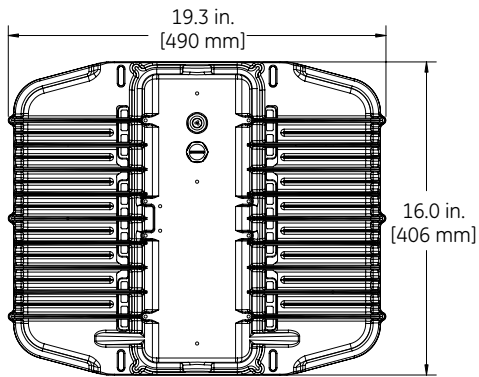
MOUNTING OPTIONS	IMAGE	ORDER LOGIC CODE
<p>Standard Chain/Cable Mount Available on all fixture configurations (chain not included). Y-Cable w/ hook can be ordered as an accessory.</p>		<p>ST = Standard</p>
<p>Rod Mount (optional) Available on all fixture configurations. Attaches to 1/2" threaded rod (rod and nuts not included).</p>		<p>22 = 1/2" Threaded Rod Kit</p>
<p>Pendant Mount (optional) Available on all fixture configurations. Attaches to 3/4" NPT threaded conduit (conduit not included).</p>		<p>23 = 3/4" NPT Pendant Mount Kit</p>
<p>Y-Cable w/hook (optional) Use with Standard Mounting Option only. Order separately. Price adder per pair. 5 ft., 10 ft., 15 ft., 20 ft. lengths available.</p> <p>Not available with corrosion resistant finish (R)</p>		<p>41=Y-Cable-Hook-05ft-Pair 42=Y-Cable-Hook-10ft-Pair 43=Y-Cable-Hook-15ft-Pair 44=Y-Cable-Hook-20ft-Pair Max Load: 200 lbs. per pair</p>
<p>Rotatable Mount Bracket (optional) Available on single fixture only configurations. Mounts to a wall or ceiling with 360 degree of rotation at 15 degree fixed angle points. Chain/cable mount is standard and included in price. Price adder for Y-Cable, Rod Mount, Pendant Mount, and Rotatable Bracket.</p> <p>Only sensor option R (Integrated Motion Sensor) allowed with Rotatable Bracket.</p>		<p>RB = Rotatable Bracket</p>

Chain/cable mount is standard and included in price. Price adder for Y-Cable, Rod Mount, Pendant Mount, and Rotatable Bracket. Consult Sales for latest information. See "Installation Instructions" for mounting details.

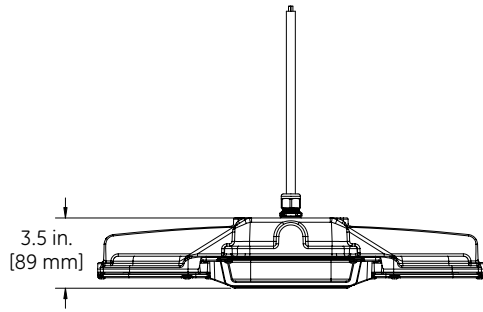
Product Dimensions

Heavy Industrial High Bay & Low Bay Lighting (ABR1)

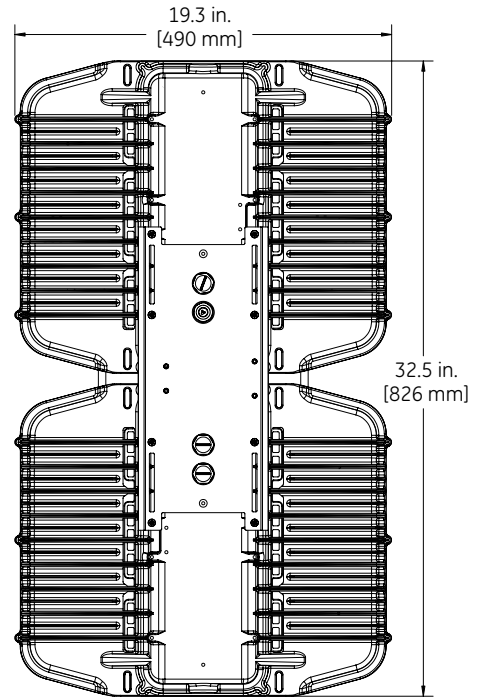
Single Fixture



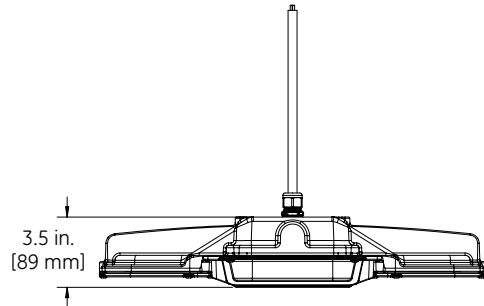
Side View



Double Fixture



Side View



Configuration	Max Weight	Max Weight with Rotatable Bracket
Single Fixture 120-277V	21 lbs. max	25 lbs. max
Single Fixture 347/480V	23 lbs. max	27 lbs. max
Double Fixture 120-277V	45 lbs. max	N/A
Double Fixture 347/480V	49 lbs. max	N/A



www.gelighting.com

GE and the GE Monogram are trademarks of the General Electric Company. All other trademarks are the property of their respective owners. Information provided is subject to change without notice. All values are design or typical values when measured under laboratory conditions. GE Lighting is a business of the General Electric Company.
© 2016 GE.

ALB017 (Rev 08/04/16)