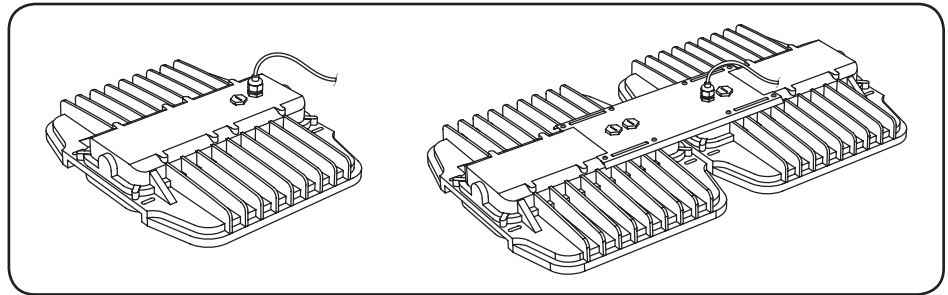


Albeo™ LED Luminaire

Heavy Industrial High Bay Lighting
(ABR1-Series)

Features

- UL 1598 Suitable for Wet Locations
- IP66 Rated Ingress Protection



BEFORE YOU BEGIN

Read these instructions completely and carefully.

⚠ WARNING/AVERTISSEMENT

RISK OF ELECTRIC SHOCK

- Turn power off before inspection, installation or removal.
- Properly ground electrical enclosure.

RISK OF FIRE

- Follow all NEC and local codes.
- Use only UL or IEC approved wire for input/output connections. Minimum size 18 AWG.

RISQUES DE DÉCHARGES ÉLECTRIQUES

- Coupez l'alimentation avant d'inspecter, installer ou déplacer le luminaire.
- Assurez-vous de correctement mettre à la terre le boîtier d'alimentation électrique.

RISQUES D'INCENDIE

- Respectez tous les codes NEC et codes locaux.
- N'utilisez que des fils approuvés par UL ou IEC pour les entrées/sorties de connexion. Taille minimum 18 AWG.

This device complies with Part 15 of the FCC Rules. Operation is subject to the following two conditions: (1) This device may not cause harmful interference, and (2) this device must accept any interference received, including interference that may cause undesired operation. CAN ICES-005 (A) / NMB-005 (A)

Note: This equipment has been tested and found to comply with the limits for a Class A digital device, pursuant to part 15 of the FCC Rules. These limits are designed to provide reasonable protection against harmful interference when the equipment is operated in a commercial environment. This equipment generates, uses, and can radiate radio frequency energy and, if not installed and used in accordance with the instruction manual, may cause harmful interference to radio communications. Operation of this equipment in a residential area is likely to cause harmful interference in which case the user will be required to correct the interference at his own expense.

Save These Instructions

Use only in the manner intended by the manufacturer. If you have any questions, contact the manufacturer.

Prepare Electrical Wiring



Electrical Requirements

The LED driver must be supplied with 120-277 VAC or 347/480 VAC, 50/60 Hz per product label and connected to an individual properly grounded branch circuit, protected by a 15 or 20 ampere circuit breaker.



Grounding Instructions

The grounding and bonding of the overall system shall be done in accordance with National Electric Code (NEC) Article 600 and local codes.



imagination at work

Unit Installation

Provide at least 12" of clearance from the top of the fixture to any ceiling or surface above.

- 1 Carefully unpack unit and properly inspect for defects before installing. Wear work gloves to prevent dirt and oil from being transferred to the luminaire.
- 2 Choose a mounting method: chain or cable, rod mount, or pendant mount.
- 3 Wire colors:

ABR1-Series Configuration	Fixture Weight	
	120/277V	347/480V
Single	21	23
Dual	45	49

Black	Live
White	Neutral
Green	Safety Ground
Purple	0-10V (+)
Gray	0-10V (-)

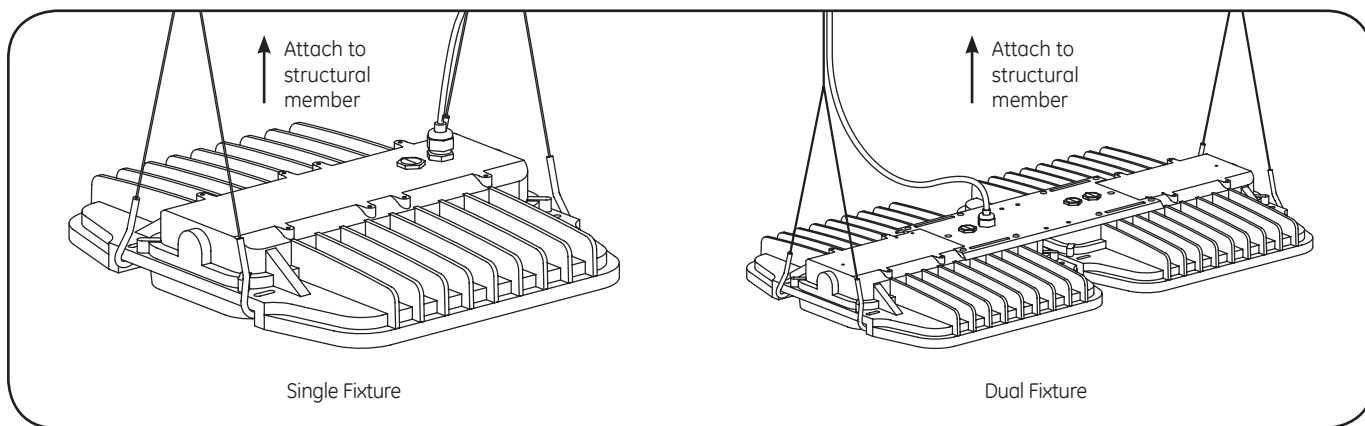
NOTE: The standard configuration uses a 3-conductor SOOW cable. The dimming option adds a separate 2-conductor SOOW cable for 0-10V control wires.

NOTE: For applications requiring the "R" corrosion resistant finish, use mounting hardware appropriate for the environment.

Chain or Cable Mounting

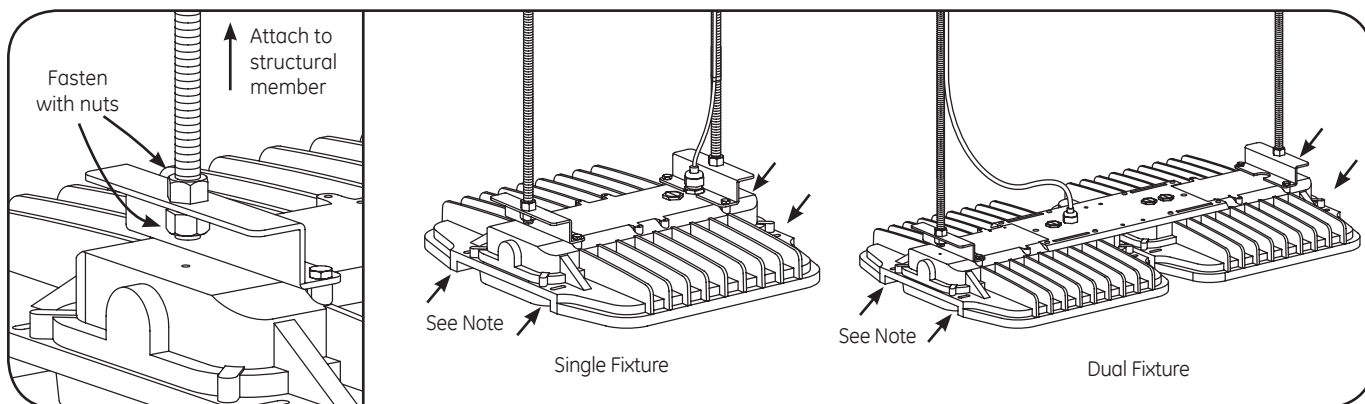
Please follow all UL, NEC and minimum load rating guidelines when selecting and installing a cable or chain.

NOTE: When selecting chain, a joint in a circular chain link shall be welded. A joint in a chain link of another shape shall not be located within 30 degrees of the vertical unless welded.



Hang two chains/cables from a structural member of the ceiling. Fixture must be supported independently of an outlet box. Loop chain/cable through the mounting slots next to each fixture end. Chain/cable mounting locations must be in the slots at the ends of the fixture.

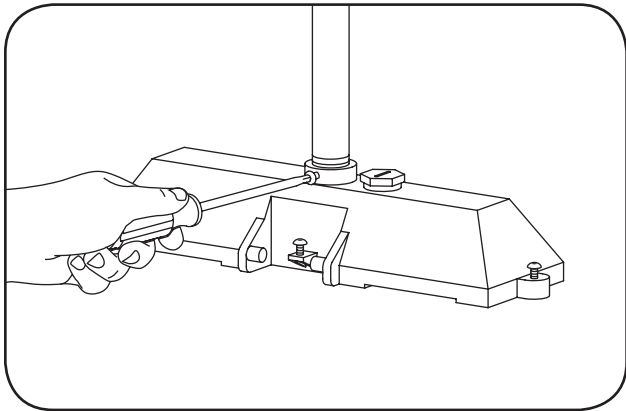
Threaded Rod Mounting



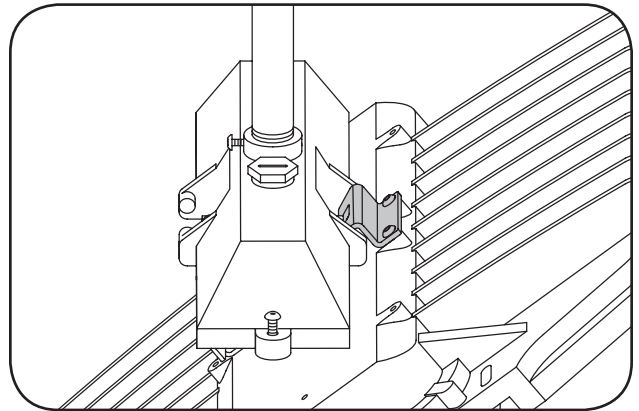
Secure two 1/2" threaded rods into structural members in ceiling. Place a nut on each threaded rod where fixture should hang. Slide rod mount brackets onto threaded rods and tighten second nut onto rods to secure fixture.

NOTE: Safety chains can be used in mounting slots at end of fixture.

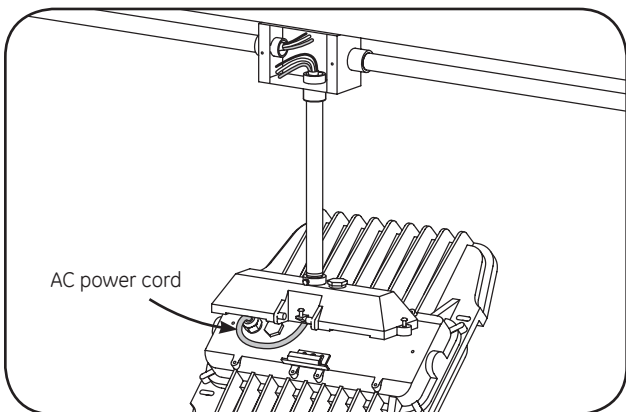
Pendant Mounting



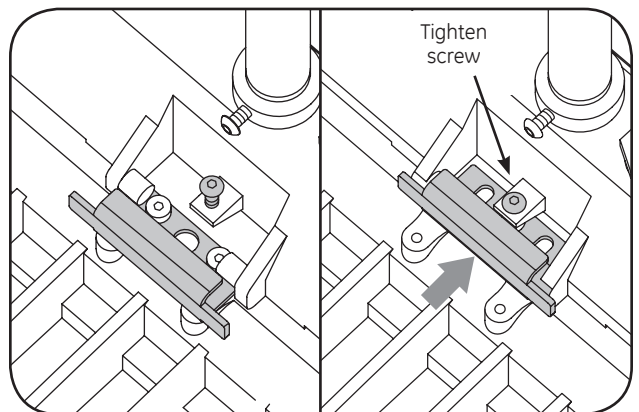
- 1** Attach pendant mount box to $\frac{3}{4}$ " NPT conduit. Determine rotation of fixture and lock orientation in place with provided set screw.



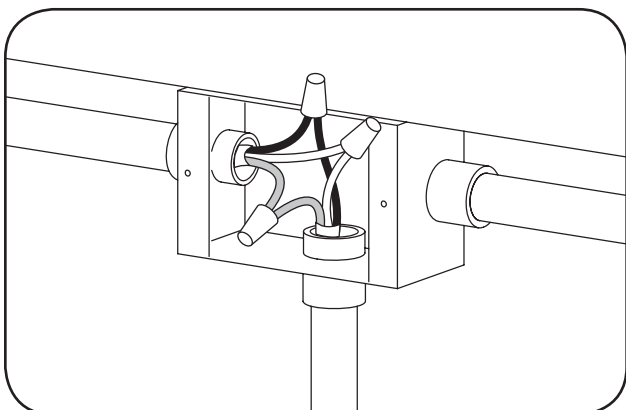
- 2** Lift fixture up and hang on pendant mount box using hinge piece.



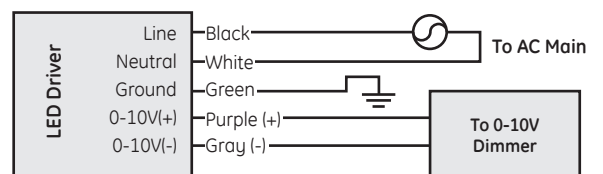
- 3** Feed the AC power cord through the conduit and into the junction box.



- 4** Swing fixture closed and secure with the slide clip. Lock slide clip in place with screw.

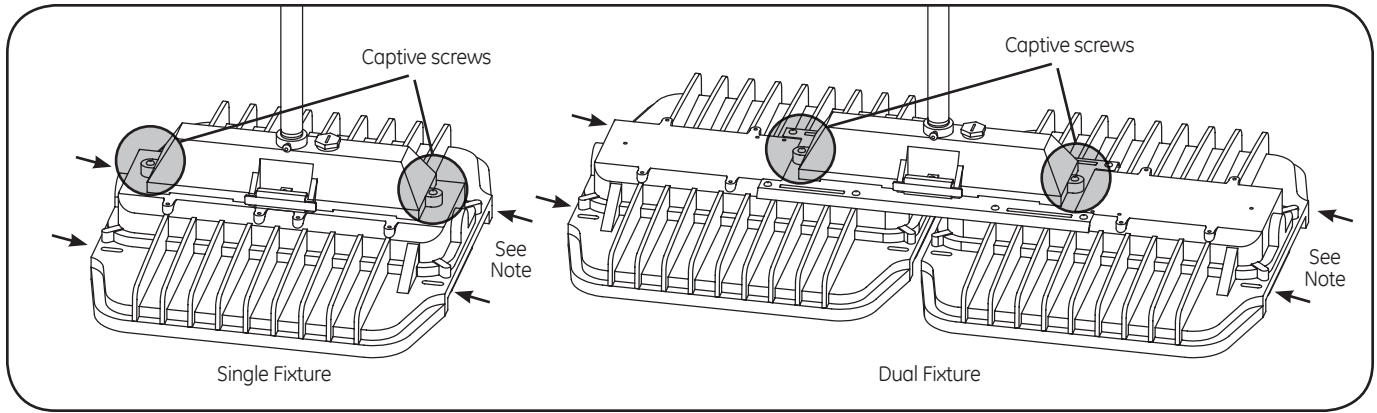


- 5** Connect the green (ground), black (line) and white (neutral) wires of the AC line to the similarly colored wires of the fixture's power cord using UL listed wire connectors. Close junction box.



The 0-10V dimming option uses a separate 2-conductor SOOW cable. Install cable per NEC and local codes. For pendant mount option, cord can be run through $\frac{1}{2}$ " NPT hole on top of the mount box.

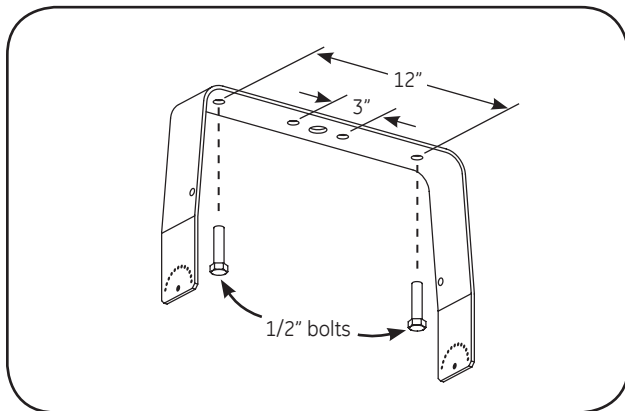
A 10V signal corresponds to 100% lumen output. A 0V signal corresponds to ~15% lumen output. Shorting the dimming wires dims the fixture to ~15% lumen output.



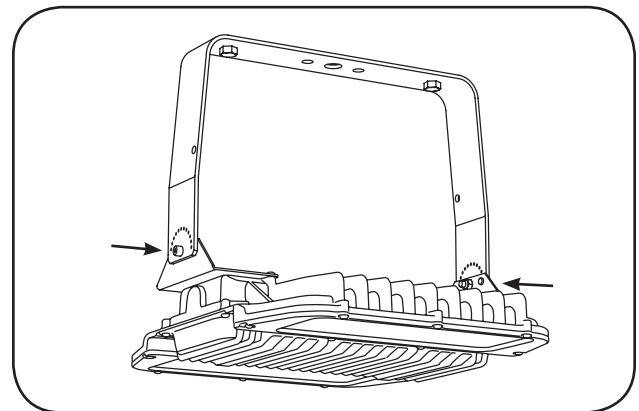
- 6** Secure pendant mount box to fixture by fully tightening the captive screws on the sides of the pendant mount box to the fixture.

NOTE: Safety chains can be used in mounting slots at end of fixture.

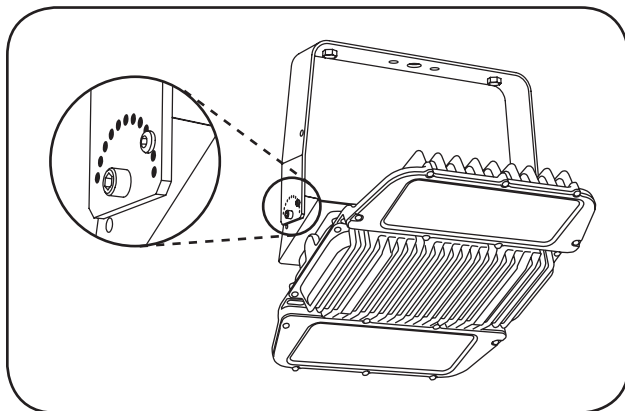
Rotatable Bracket Mounting



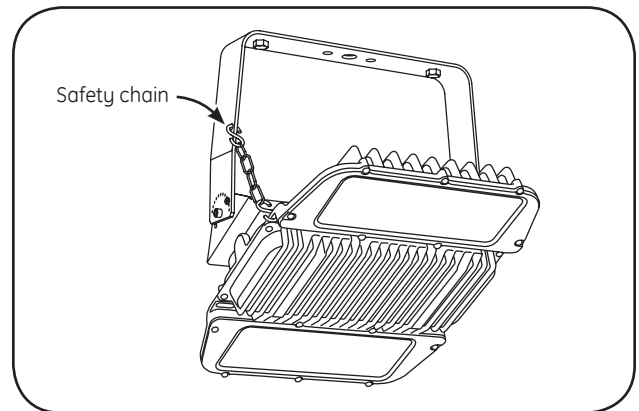
- 1** Mount U-bracket to a flat wall or ceiling surface using (2) 1/2" bolts. Use either the 3" or the 12" hole pattern.



- 2** Lift fixture up and insert provided (2) 1/4" hex drive bolts through brackets, then install provided locknuts.



- 3** Determine rotation of fixture and lock orientation in place (both sides) with provided (2) 1/8" hex drive screws.

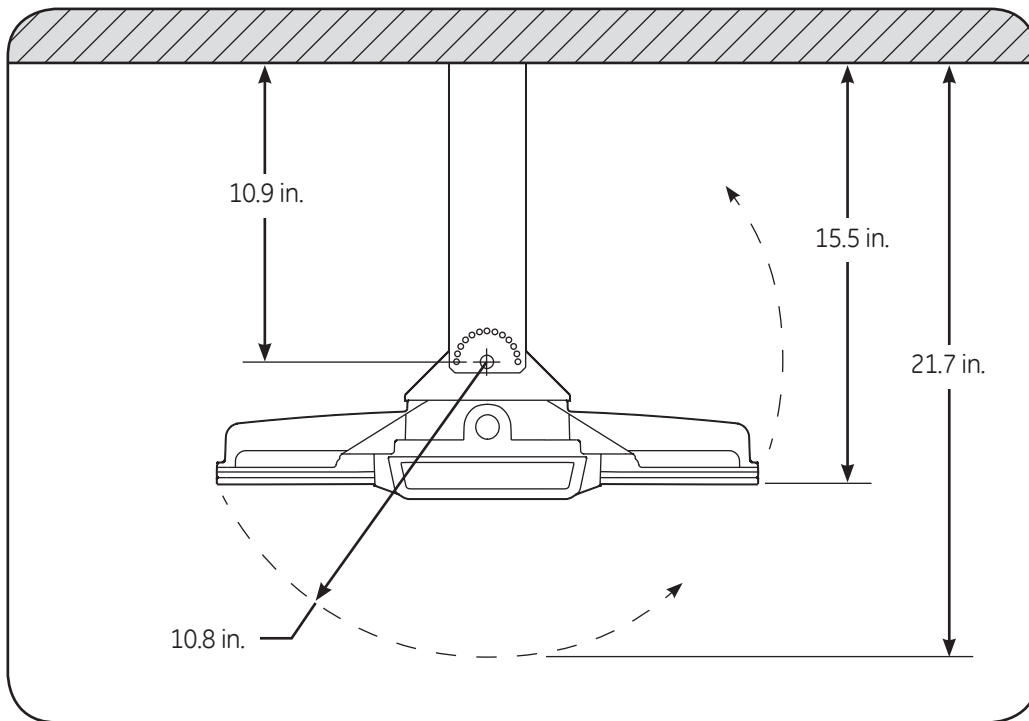


- 4** **NOTE:** Optional safety chains can be used in 3/8" holes in sides of bracket and in the mounting slots at the end of fixture.

NOTE: Luminaire not to be directly facing the mounting surface nor within 45° of each direction.

NOTE: The rotatable bracket requires a 5°C maximum ambient temperature derating.

Rotational Bracket Clearances



Troubleshooting

Symptom	Solution
Luminaire will not turn on.	<ul style="list-style-type: none">• Check that the color of the supply side wires match the color of the wires they are connected to.• Check that all wire connectors are properly connected.• Verify that your input voltage is within specs.• If you are using any additional controls (i.e. dimming wires, motion sensors), please also verify that those are working properly and that the unit is setup to interface with the controllers.

Maintenance

- Product should not be disassembled during installation process and/or while installed.
- Lens should be cleaned periodically for maximum lumen output.
- Inspect and clear any build-up on cooling fins periodically for maximum performance.



www.gelighting.com

GE and the GE Monogram are trademarks of the General Electric Company. All other trademarks are the property of their respective owners. Information provided is subject to change without notice. All values are design or typical values when measured under laboratory conditions. GE Lighting is a business of the General Electric Company. © 2017 GE.

ALB019 (Rev 09/07/17)