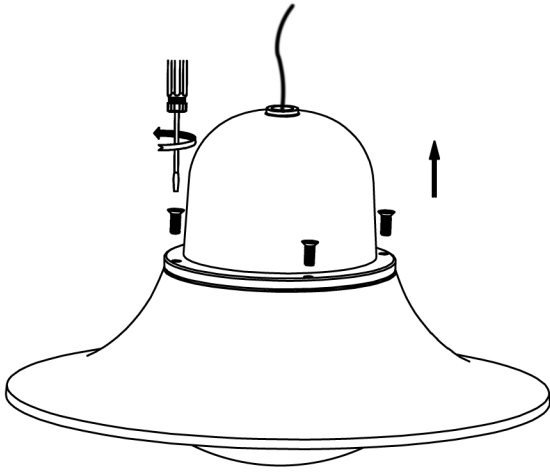
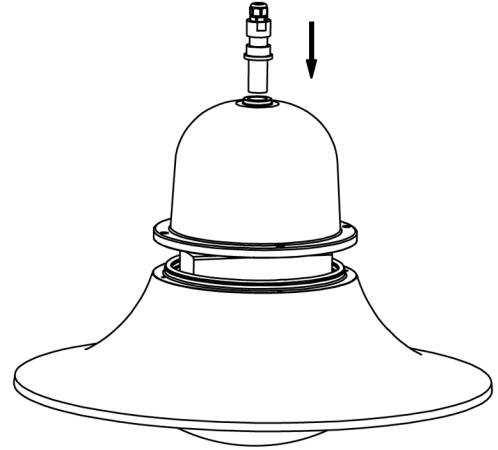


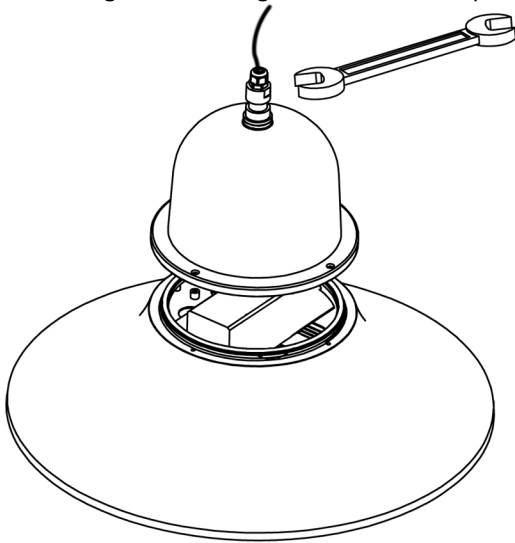
- ① Use a Phillips screwdriver to unscrew the top dome. Lift the dome partway from the top of the fixture.



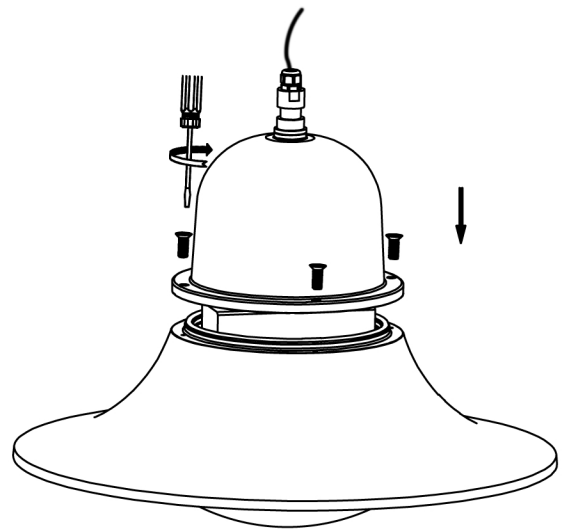
- ② Locate the small bag with the light fixture support hardware. Remove the nut, flat washer and split lock washer. Run the cable through them with the nut going on first, then flat washer and split lock washer last. Now insert the cable through the hole in the underside of the dome.



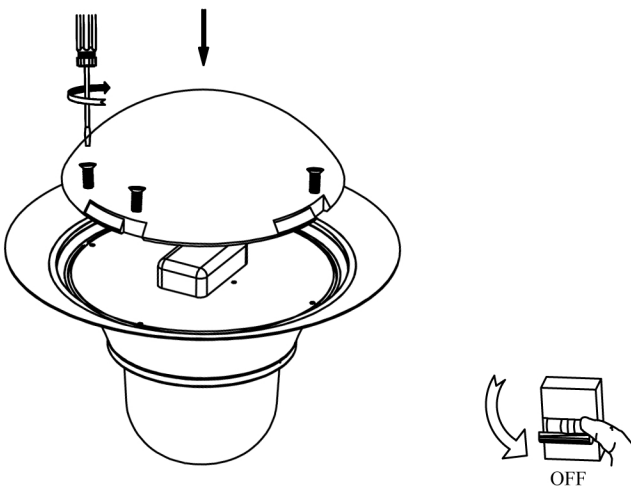
- ③ Insert the threaded fitting over the top of the cable and push the threaded end into the dome. Pull the cable taut and feed the washers and nut onto the threaded insert from underneath. Hand tighten and then use an open-end wrench to tighten the fitting while holding the bottom nut in place to



- ④ Once both top and bottom hardware are secure, place upper dome onto fixture and screw in hardware to reconnect.



- ⑤ Turn the fixture over and place the clear dome over the LED assembly, and secure with the provided screws.



- ⑥ Run the electrical cord inside the pole arm and use hardware to tighten fixture in place.

