

# PK3003

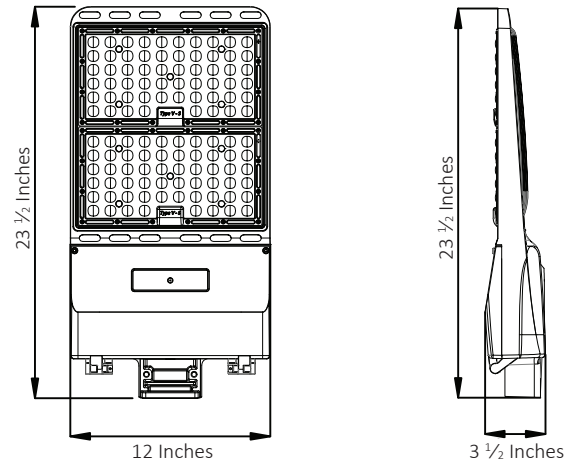
## Pole Kit with Three 300 Watt LED Area Lights (20-30 Foot Pole Options)

### Product Description

- Best-in-class, commercial grade, outdoor rated 300 watt LED area light
- Die-cast aluminum housing with dark bronze powder coat finish
- Built-in aluminum fins maximize heat dissipation for trouble free operation
- Easily replaces any 1,000 watt metal halide or high pressure sodium light
- Designed specifically for outdoor use such as parking lots and street lights
- IP66 rating allows it to endure severe weather conditions for many years

### Product Specification

- Power: 900 watts
- Voltage: 120-277 volt (345 and 480 volt options available)
- Delivered Lumens: 124,200
- Lumens/Watt: 138
- HID Equivalent: 1,000 watt metal halide or high pressure sodium
- Color Temperature: 5000K, 4000K or 3000K
- CRI: 80
- IP Rating: IP66 wet location
- Material: Die-cast aluminum
- Life Expectancy: 100,000 hours—LM70
- Dimming: Yes
- Fixture Color: Dark bronze, other color options available
- Warranty: 5 year
- Mounting: Includes square mounting bracket
- Power factor: 0.95
- Frequency: 50/60 hertz
- Ambient Temperature: -20° to 130°F
- LED Driver: Sosen
- LED Chips: Lumiled
- Individual Light Dimensions (LxWxH): 23 1/2 x 12 x 3 1/2 inches
- Individual Light Weight: 15.5 lbs.
- EPA: 0.78
- Certification: UL and DLC listed



B.U.G. RATING				
TEMPERATURE	POWER	B	U	G
5000K, 4000K, 3000K	300 watt	3	2	2

