

PK804A

Pole Kit with Four Adjustable 80 Watt LED Flood Lights (10-20 Foot Pole Options)

Product Description

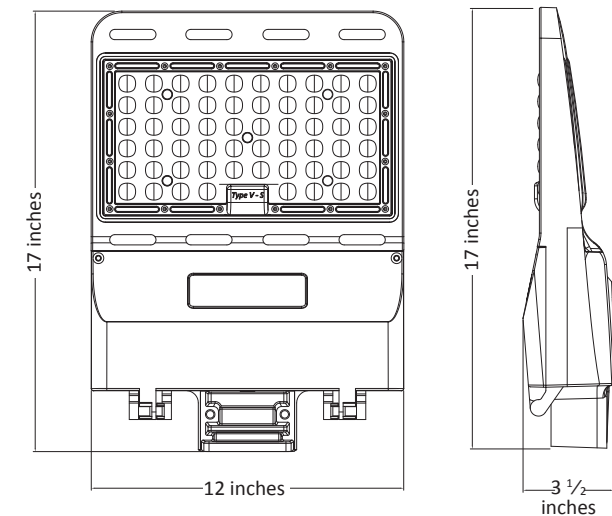
- Best-in-class, commercial grade, outdoor rated 80 Watt LED flood light
- Die-cast aluminum housing with dark bronze powder coat finish
- Built-in aluminum fins maximize heat dissipation for trouble-free operation
- Easily replaces any 250 Watt metal halide or high pressure sodium light
- Designed specifically for outdoor use such as parking lots and street lights
- IP66 rating allows it to endure severe weather conditions for many years

Product Specification

- Total System Power: 320 Watts
- Voltage: 120-277 Volt (345 and 480 Volt options available)
- Delivered Lumens: 43,200
- Lumens/Watt: 135
- HID Equivalent: 250 Watt metal halide or high pressure sodium
- Color Temperature: 5000K, 4000K or 3000K
- CRI: 80
- IP Rating: IP66 wet location
- Material: Die-cast aluminum
- Life Expectancy: 100,000 hours—LM70
- Dimming: Yes
- Fixture Color: Dark bronze, other color options available
- Warranty: 5 year
- Mounting: Heavy duty adjustable slip fitter (for 2 3/8 inch tenon)
- Power Factor: 0.95
- Frequency: 50/60 hertz
- Ambient Temperature: -20° to 130°F
- LED Driver: Sosen
- LED Chips: Lumiled
- Dimensions (LxWxH): 17 x 12 x 3 1/2 inches
- Weight: 8.15 lbs.
- EPA: 0.78
- Certification: UL and DLC listed



Option 1: Straight Inline Bullhorn



Option 2: 90 Degree Bullhorn

Slip Fitter

