

# WP91085

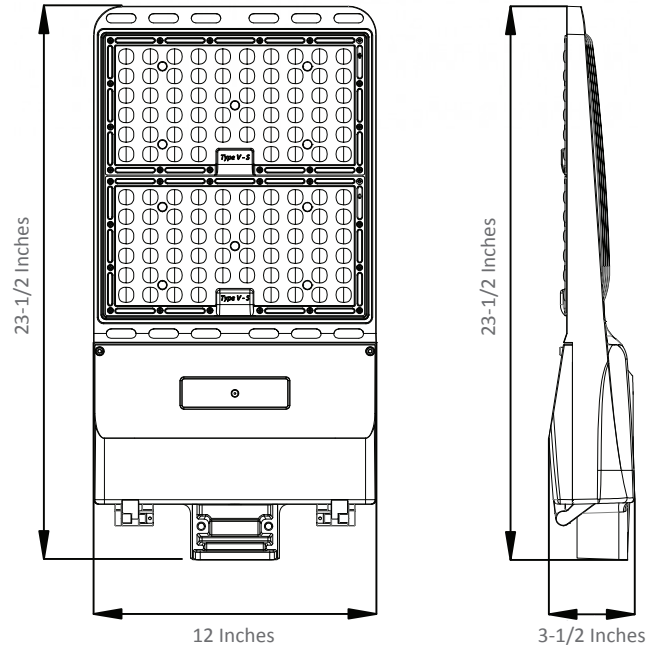
## 300 Watt Adjustable LED Wall Pack

### PRODUCT SPECIFICATIONS

**Description:** Best-in-class, commercial grade, adjustable 300 watt LED wall pack has a die-cast aluminum housing with a dark bronze powder coat finish. It is an economical replacement for any 1000 watt metal halide or high pressure sodium light.

#### Features

- Includes wall mounting bracket
- Fixture angle can be adjusted for maximum coverage or for creating a wall wash effect
- IP66 rating allows wall pack to endure severe weather conditions for many years
- Quick, easy installation
- Wall pack is dark sky friendly when mounted parallel to the ground
- Input Voltage: 120-277V
- Color Temperature: 5000K
- CRI: >80
- Lumens: 41,400
- Power: 300 Watts
- Lumens Per Watt: 138
- Amps: 2.5- 120V / 1.08- 277V
- Dimmable: Yes
- Rated Hours: 100,000- LM70
- DLC Listed: Yes
- UL Rated: Yes
- Warranty: 5 Year
- Dimensions: 23.5L x 12W x 3.5H (inches)
- Color: Dark Bronze
- Weight (lbs.): 15.5



### ADJUSTABLE YOKE MOUNT

