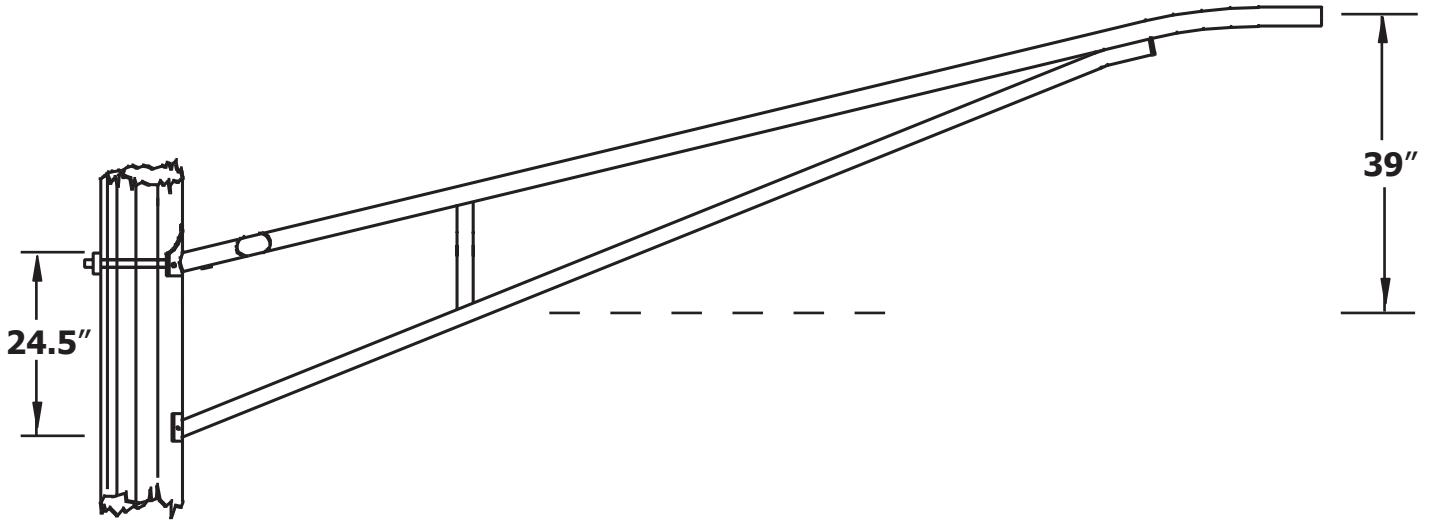


10 ft. Aluminum Truss Bracket. #WPB1184



Specifications

Length:	10 ft.
Member Upper Tube:	3 in.
Member Lower Tube:	1.5 in.
Rise:	39 in.
Bracket Weight:	25 lbs.
Pole Space:	24.5 in.
Max. Luminaire Wt. :	75 lbs.
Max. EPA (1):	1.2